

20.If the problem comes up during the using, please unplug the cord and stop using.Then press the clock to check and handle.If the problem can not be solved ,please send it to our service centre to repair.

TROUBLE AND TREATMENT

NO	TROUBLE	REASONS	TREATMENT
1	can not lock the lid	the sealing ring does not install properly	reinstall the sealing ring
		the float seized up by the rod	push the rod with your hands
2	can not lock the lid	the float seized up by the rod	push the rod with your hands
3	air leak from the rim of the lid	not install the seal ring	install the sealing ring
		victual stick on the seal ring	clean up the sealing ring
		the sealing ring wear out	renew the sealing ring
		the lid does not lock properly	re-lock the lid
4	air leak from the float valve	victual stick on the seal ring for float valve	clean up the sealing ring for float valve
		the seal ring for float wear out	renew the seal ring for float
5	the float can not rise up	the pressure limit valve is not in the position of	place the pressure limit valve to the position of
		not enough food and water	put enough food and water in the inner pot
		air leak from the lim of the lid or the pressure limit valve	sent the product to our service center for repair
6	E1	sensors are access to undesirable	reconnect the sensors' sockets
	E2	sensors are short circuit	check the sensors' ends or change
	E3	over heating	add more water
	E4	pressure is not enough or pressure switch is aging	after check and judge the situations,then change it



Electric Pressure Cooker INSTRUCTION MANUAL

Read this manual carefully before operation

Pictures in this manual are for reference only, the product in kind prevail.



CGEPC3L01

CGEPC3L02

CGEPC4L01

CGEPC5L01

This instruction manual contains important information & recommendations that we would ask you to comply with to obtain best results form your products.

In order to use the appliance properly, please read the user's manual carefully before use.

INTRODUCTION:

Microcomputer electric pressure cooker is a new style cooking utensil, adapted the advanced technology and concentrated the merits of pressure cooker, electrical rice cooker and braising cooker, and supply their shortages. The microcomputer electric pressure cooker adopts the technology of microcomputer control automatically. It can adjust cooking humidity, pressure and time automatically according to different kinds of food. The microcomputer pressure cooker has the peculiarities of advanced structure, new layout-design, safety, reliability, multifunction, easy use, saving time and electricity and scientific cooking. It is an ideal cooking utensil of modern family and will take the place of pressure cooker, electric rice cooker and braising cooker.

CHARACTERISTIC:

1. The microcomputer electric pressure cooker can cook rice, Congee, soup and braise food, etc.
2. According to foods, individual taste and cooking Experience, you may choose cooking time Freely. When the food is cooked, the microcomputer electrical pressure cooker can turn to "KEEP WARM" function automatically.
3. Provision function. After setting the cooking time, it will clockwise automatically and finish the cooking process automatically on time.
4. Because of its high thermal efficiency, the microcomputer Electrical pressure cooker can save electricity exceed electrical rice cooker by 60% and save time by 40% during cooking congee, soup and braising food.
5. Pressurized cooking, the alimention would save well, the rice is punky.
6. Special sealing ring ensures good airtightness and makes the lid easy to close and easy to turn open.

7. Non-stick coating makes the inner pot easy to clean.

8. Anti-burnout and thermal fuse.

9. Seven safety protection devices as following:

I. Open and close lid safety device.....

With the open and close lid safety device the pressure cooker can not pressurize when the lid and body have not locked right, and the lid can not be opened with pressure inside.

II. Pressure control device.....

It would turn the power off when the pressure inside exceeds the setting value and automatically turn the power on again when the pressure inside becomes lower, which would ensure the electrical pressure cooker in safe pressure range.

III. Pressure limit valve.....

If the pressure control device and the thermostat do not take action, the pressure limit valve would exhaust air automatically when the pressure inside exceeds the setting pressure.

IV. Anti-block cover.....

It prevents the food block the pressure limit valve.

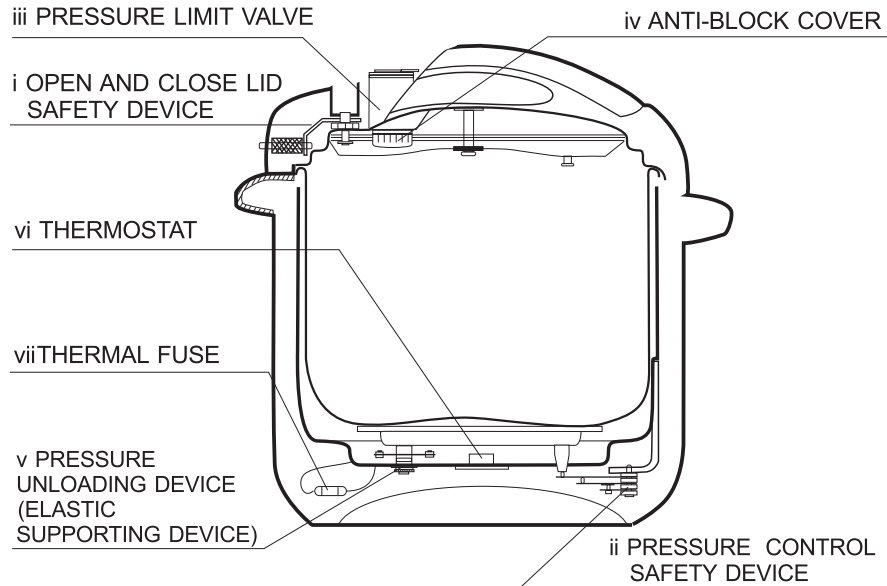
V. Pressure relief device.....

If the pressure control device conk out and the pressure limit valve was locked, the pressure inside the electrical pressure cooker would rise, which would cause the flat elastic supporting structure under the heating plate move down. Then the inner bowl moves down accordingly and the inter-space between the sealing ring and inner bowl enlarge, the rim of the lid would exhaust air automatically, so that the electrical pressure cooker will never explode.

VI. Thermostat.....

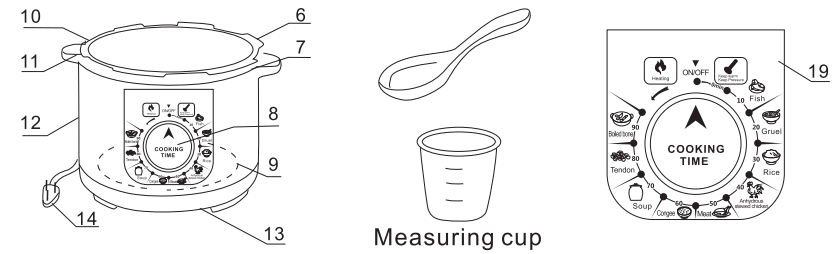
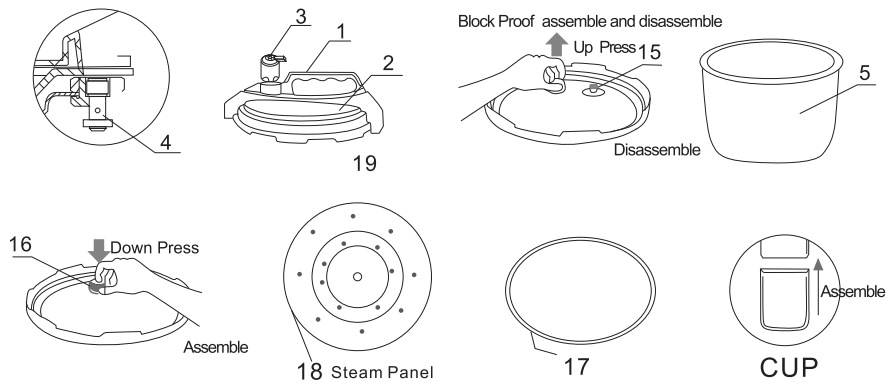
It would turn to power off condition when the pressure cooker electrify without food inside or the temperature inside exceeds the setting temperature. (Restoration automatically)

GENERAL VIEW OF THE SAFETY DEVICES OF THE PRESSURE COOKER



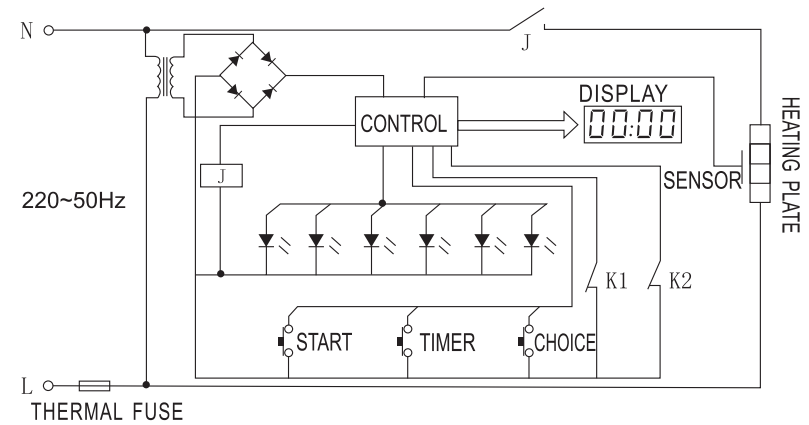
VII. Thermal fuse:

It would cut off the circuit when the electrical pressure Cooker reaches its maximum temperature.(Unrestoration automatically)

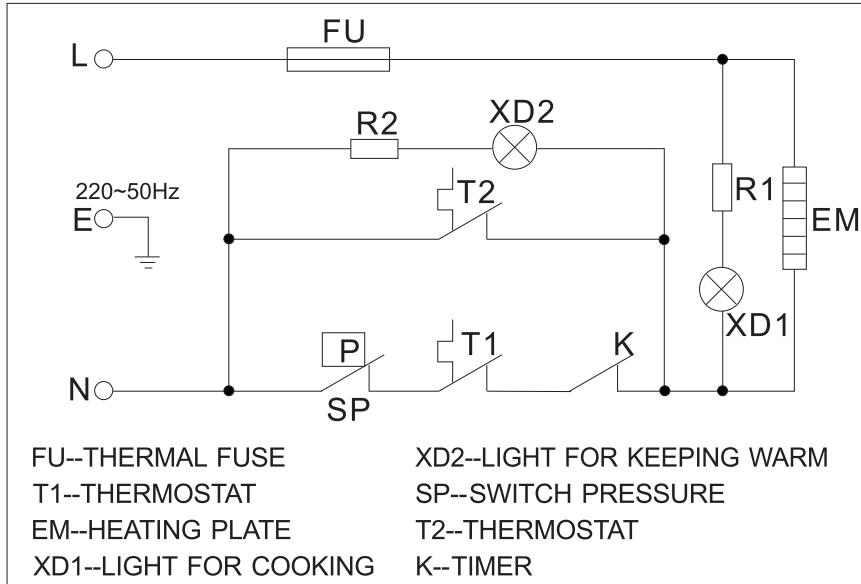


- | | | |
|------------------------|------------------------|------------------------------------|
| ① Lid Handle | ⑧ Switch Control Panel | ⑭ Power Cord |
| ② Steel Lid | ⑨ Heating Plate | ⑮ Float Valve Sealing Ring |
| ③ Pressure Limit Valve | ⑩ Dew Collector | ⑯ Anti-block Stainless Steel Cover |
| ④ Float | ⑪ Handle | ⑰ Sealing Ring Supporting Cover |
| ⑤ Pot | ⑫ Outer Body | ⑱ Steaming Plate |
| ⑥ Inner Pot | ⑬ Base | ⑲ Control Panel |
| ⑦ Middle Ring | | |

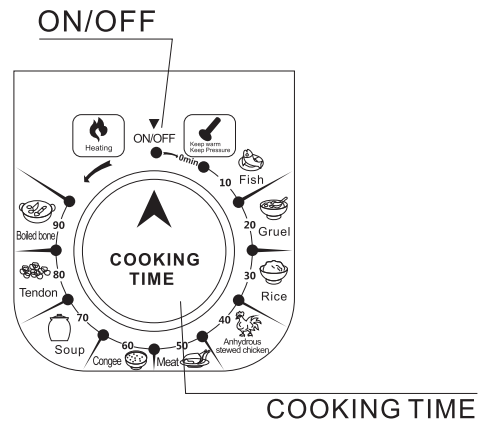
ELECTRICAL PRINCIPLES



CIRCUIT DIAGRAM

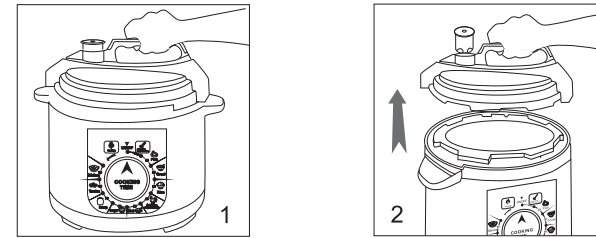


CONTROL PANEL

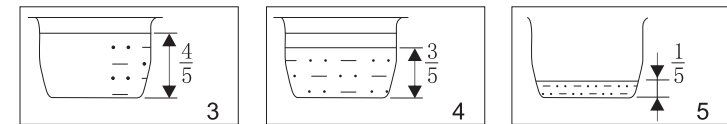


OPERATION

1. Remove the lid. Take hold of the lid handle and turn clockwise to the position limit, then carry the lid upward. (See picture 1 and 2)

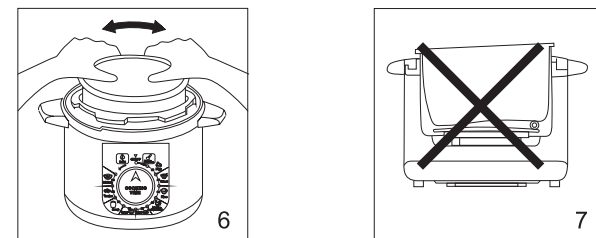


2. Take out the inner pot, pour the food and water in the inner pot. Note that the total volume of the food and water must not exceed the height of the inner pot of 80%, inflatable food must not exceed the height of the inner pot of 60%, food and water must not be under the height of inner pot of 20%. (See picture 3, 4 & 5)



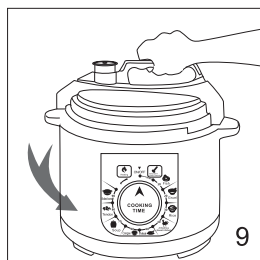
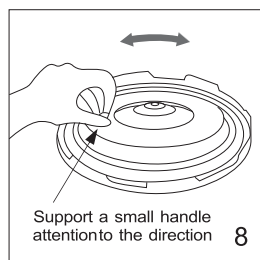
※The maximum rice capacity of 3L, 4L, 5L and 6L automatic Electrical pressure cooker are 6 cups, 8 cups, 10 cups and 12 cups.

3. Wipe up the inner pot and the heating plate carefully and check that there is no foreign matter in the outer shell and on the heating plate, then place the inner pot into the outer shell. (See picture 6 & 7)

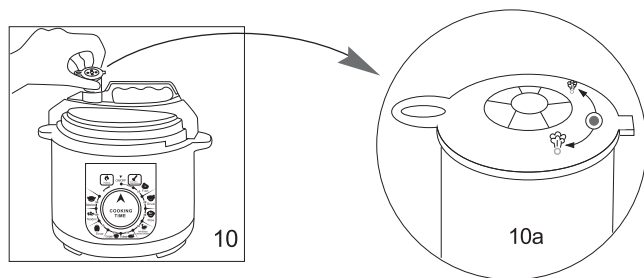


4. Close and lock the lid

- Check that the seal ring is well installed inside the lid
- Turn the seal ring in both direction so as to ensure that it is put on the lid well.
- Take hold of the lid handle and put it on the side of position limit level, then turn it counter-clockwise to the lock position and hear Crack, which indicate The lid is locked.(See picture 8&9)



5. Place the pressure limit valve properly and ensure that it is on the, then check whether the float is down(The float should be down before cooking)(See picture 10&10a)



6. Plug in the cord, the display shows Attention: Ensure the power cord insert through, or the electric spark will burn the sockets and cause accidents.

CLEANING:

1. Unplug the cord before cleaning
2. Cleaning the body with a cloth. Do not immerse the body in water or pour water into it.
3. Clean the inner pot with sponge or nonmetallic soft brush, then wipe it up.

4. The height of food and water must be in accordance with rule 2.

5. Do not damage the seal ring, use other rubber ring or use another drag ring to increase its airtightness.

6. Always keep the anti-blockup cover clean. Keep the pressure limit valve and float valve clear.

7. Do not open the lid until the float falls down.

8. Do not put foreign matter on the pressure limit valve or replace it with other thing.

9. Do not use the cloth to cover the rim of the lid and the outer pot.

10. Keep the bottom of the inner pot and the heating plate clean. Do not heat up the inner pot in other thermal energy or replace it with other pot.

11. Use wooden or plastic scoop in case to so as not to damage the coating of the inner pot.

12. Since the escaping steam is very hot, keep your face and hands away from the air escape. Do not touch the lid when cooking.

13. Keep the children away from the automatic electrical pressure cooker when it is working.

14. Please unplug the cord at once and send the cooker to our service centre for repair.

15. Please suspend using the fault cooker and send it to our service centre for repair.

16. Move the cooker with its handles but not the lid handle.

17. Do not take the cooker apart or replace its components yourself. Use our spare parts and repair service only.

18. If the soft power cord is broken, it must be changed by the professional one.

19. The product did not consider the situation as below:

- Unaccompanied children and person with disabilities on the use of the appliances.
- The case of children play equipment

A Quality Product
Of



**IMPORTANT INFORMATION FOR CORRECT DISPOSAL OF THE PRODUCT
IN ACCORDANCE WITH EC DIRECTIVE 2002/96/EC.**



At the end of its working life, the product must not be disposed of as urban waste. It must be taken to a special local authority differentiated waste collection centre or to a dealer providing this service.

Disposing of a household appliance separately avoids possible negative consequences for the environment and health deriving from inappropriate disposal and enables the constituent materials to be recovered to obtain significant savings in energy and resources. As a reminder of the need to dispose of household appliances separately, the product is marked with a crossed-out wheeled dustbin.

Visit us at: www.cginspiringlife.com