



OIL FILLED RADIATOR INSTRUCTION MANUAL

Read this manual carefully before operation

Pictures in this manual are for reference only, the product in kind prevail.



Model: CGOFR1502

This instruction manual contains important information
& recommendations that we would ask you to comply
With to obtain best results from your products.

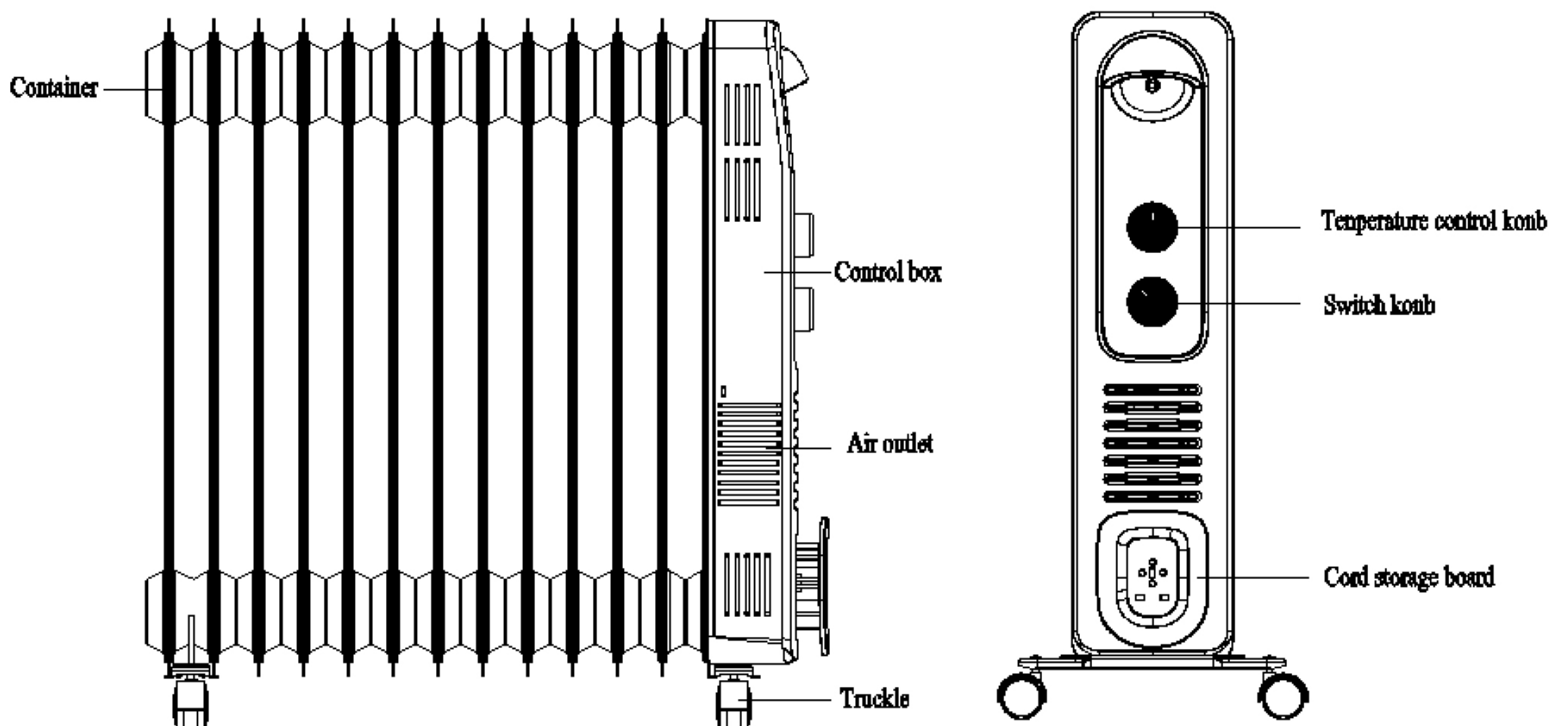
Warmer Instruction

Thank you for choosing our warmer, please read this instruction carefully before operating and keep it for future reference.

I. Product characteristics

- ◆ Our electrothermal warmer operates as follows: tubular element is taken as heat source, efficient and permanent heat conduction oil is taken as the medium, heat eliminates via radiation fin, room temperature is increased via air circulation.
- ◆ Our electrothermal warmer has the following advantages: convenient, safe, beautiful, tranquil operation, without electromagnetic disturbance etc. It is suitable for such locations as scientific research room, hospital, hotel, training practice house, and bedroom, etc. The warmer keeps your room or office more comfortable in cold seasons!

II. Product structure diagram

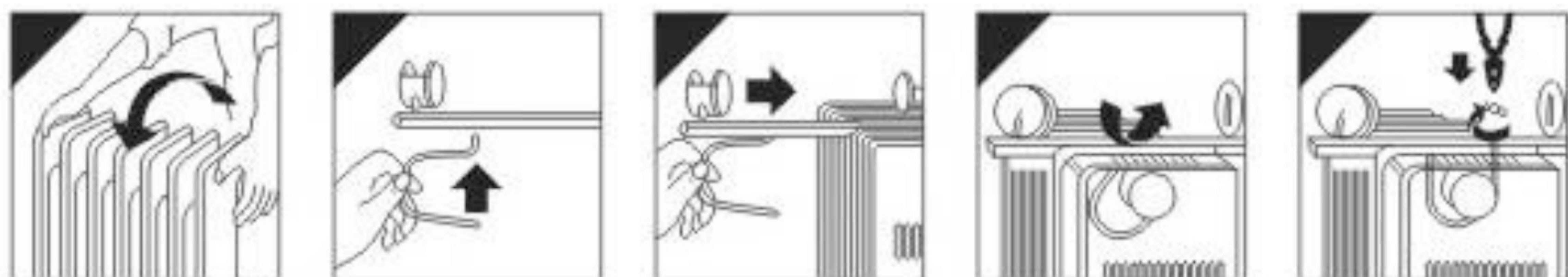


III. Operation instruction

Mounting:

Take out the warmer and all the parts from packing carton.

1. Make the warmer be on its head
2. Place the footplate on the top of both radiation fins
3. Secure the footplate on the warmer with specified U type bolt and wing nut
4. Tighten the screw
5. Make the warmer stand erect



Placing:

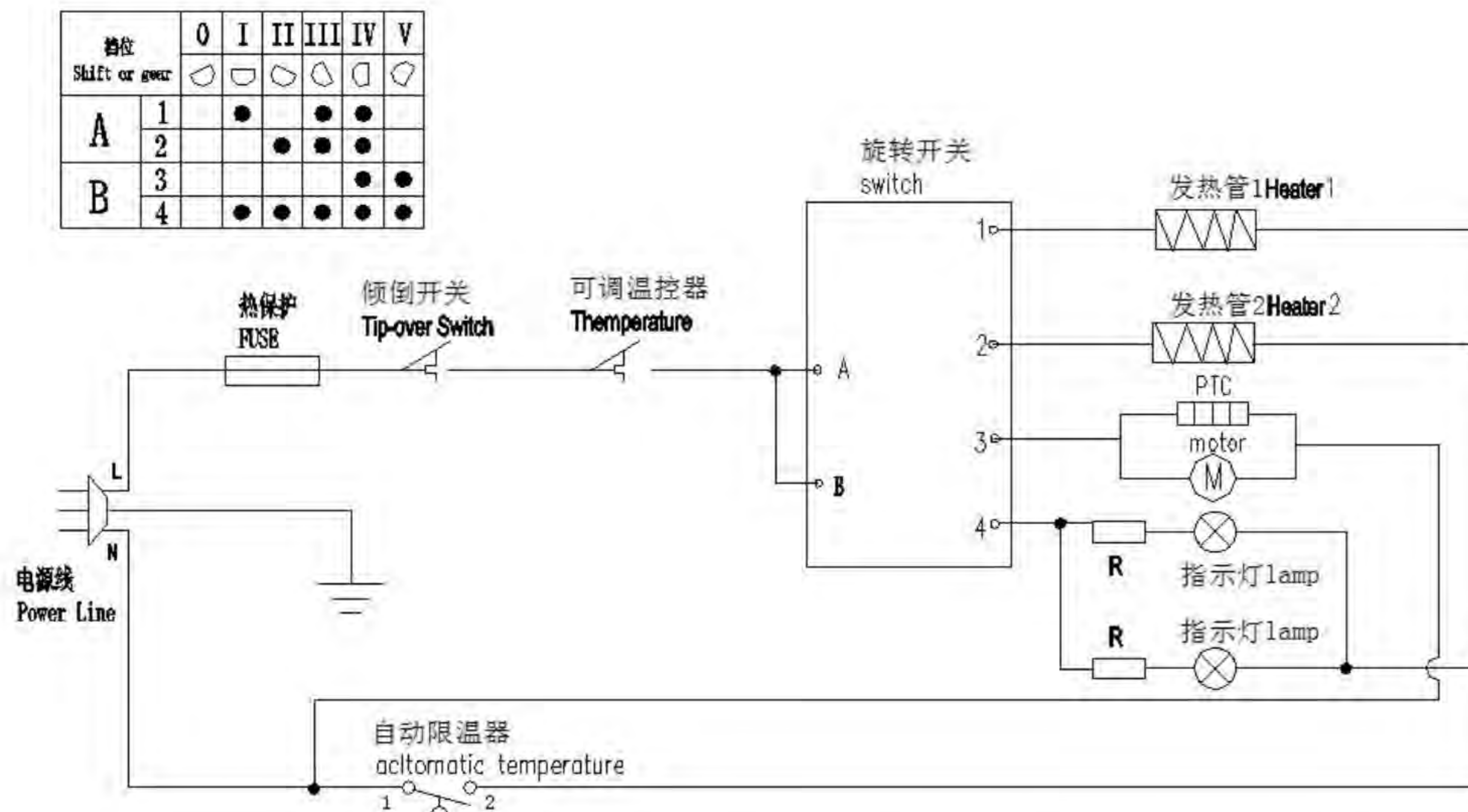
The warmer should be away from the wall or other objects such as furniture, curtain at least 90cm; do ensure that the power supply corresponds to that on the nameplate; the temperature controller switch and power switch are at "OFF" position; plug in the attaching plug.

1. The temperature knob can regulate room temperature. Turn the temperature knob

clockwise to increase the temperature; turn it anti-clockwise to reduce the temperature until appropriate temperature is reached.

2. Power knob is rotary knob:

- a> With power knob rotate to I, indicates Level I power.
- b> With power knob rotate to II, indicates Level II power.
- c> Turning the power knob to III indicates that the fan is started.
- d> Turn the power knob to IV to indicate full power startup status.



3. The case when you will no longer use the oil-heater, press the power button to initialization position, Turn the temperature Knob into the minimum position and take off the Plug.

Note: the warmer operates via heat elimination of heat conduction oil, and the oil cools out slowly after the warmer is turned off, so do not move the warmer unless the oil has cooled out, and move the warmer with the handle.

Cleaning

1. Please disconnect power supply before cleaning.
2. Wipe the outside of the warmer with wet cloth at first, and then dry it with a piece of soft cloth.

Do not use wax or brush polish, since these will react with the warmer, resulting in discoloration.

Safety protection

1. Do not cover the warmer during operating, otherwise it will result in fire.
2. The warmer should be away from the wall or other flammable objects such as furniture, curtain, bed sheet or clothes at least 90cm.
3. Do not disassemble radiation fin.
4. Take care of your children when they are near or use the warmer.
5. Do not let power line contact damp or hot objects; do not wind or let child come near the power line.
6. Do not use the warmer in open air.
7. Do not let the warmer contact hot gasoline or electric burner.
8. Do not use damaged wire or plug; do not use damaged warmer unless it is repaired.
9. Do not remove button parts of the warmer.
10. This warmer is only suitable for use in the room.
11. After dust removal, the oil left on the surface should be removed.

IV. Warning

- a) Please read this instruction carefully before operating.
- b) Please disconnect power supply when you are out or the warmer is not used for a

long time.

- c) Do not directly put clothes and other articles on the product to warm so as to prevent fire.
- d) Never put the warmer just under the socket.
- e) Never use the warmer in locations with high air humidity such as bathroom, bath house or swimming pool etc.
- f) The oil in this warmer is special heat conduction oil. Should it necessary to open oil tank during repair, only manufacturer or specified representatives are allowed to open the tank. In addition, please contact us immediately if there is oil leakage. Afterwards, the oil left on the surface should be removed.
- g) The timer dial is only allowed to turn clockwise (slightly) as indicated by arrow, and turning it anti-clockwise forcibly will damage the timer.
- h) If there is damage with power line, please contact manufacturer or service representatives immediately for replacing, otherwise it will be dangerous.

1. If the supply cord is damaged, it must be replaced by the manufacturer or its service agent or a similarly qualified person in order to avoid a hazard.

2. The heat must not be located immediately below a socket-outlet.

3. Don't use this heater in the immediate surroundings of bath, a shower or a swimming pool.

4. This heater is filled with a precise quantity of special oil. Repairs requiring opening of the oil container are only to be made by the manufacturer or service agent who should be contacted if there is an oil leakage.

5. Regulations concerning the disposal of oil when scrapping the appliance have to be followed. Please, don't throw away and be burnt on purpose.

6. WARNING: In order to avoid overheating do not cover the heater.

7. This appliance is not intended for use by persons (including children) with reduced physical, sensory or mental capabilities, or lack of experience and knowledge, unless they have been given supervision or instruction concerning use of the appliance by a person responsible for their safety.

8. Children should be supervised to ensure that they do not play with the appliance.

Warranty Information

The manufacturer provides warranty in accordance with the legislation of the customer's own country of residence, with a minimum of 1 year, starting from the date on which the appliance is sold to the end user.

The warranty only covers defects in material or workmanship.

The repairs under warranty may only be carried out by an authorized service centre. When making a claim under the warranty, the original bill of purchase (with purchase date) must be submitted.

The warranty will not apply in cases of:

- Normal wear and tear**
- Incorrect use, e.g., overloading of the appliance, use of non-approved accessories**
- Use of force, damage caused by external influences**
- Damage caused by non-observance of the user manual, e.g., connection to an unsuitable mains supply or non-compliance with the installation instructions**
- Partially or completely dismantled appliances**

- Partially or completely dismantled appliances

Correct Disposal of this product

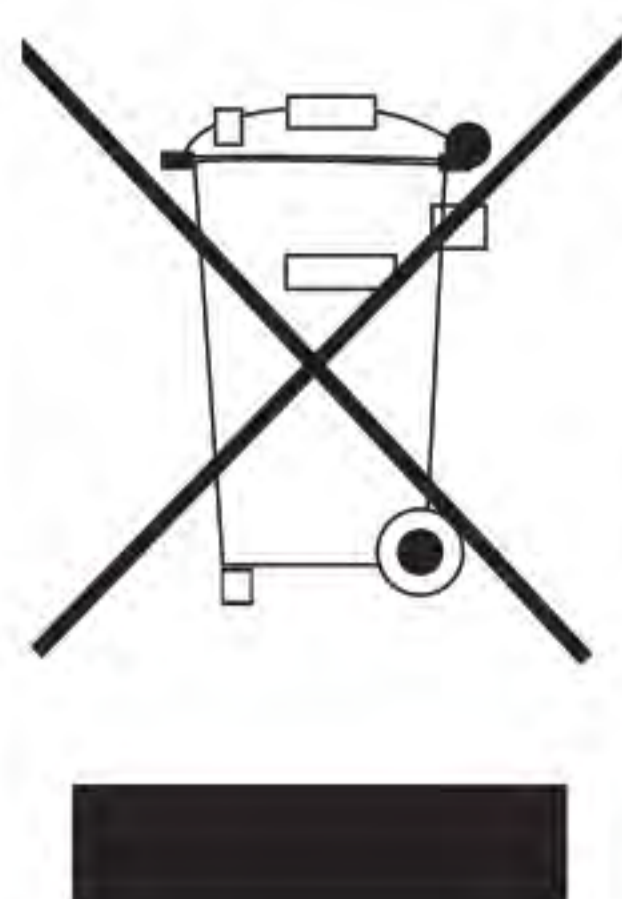


This marking indicates that this product should not be disposed with other household wastes throughout the EU. To prevent possible harm to the environment or human health from uncontrolled waste disposal, recycle it responsibly to promote the sustainable reuse of material resources. To return your used device, please use the return and collection systems or contact the retailer where the product was purchased. They can take this product for environmentally safe recycling.

V. Technical parameter

Type	Number of Radiating Fins	Rated Voltage (V)	Frequency (Hz)	Rated Power Input (W)	Power in Level I (W)230 V	Power in Level II (W)230V	Total Input Power in Level III (W)230V	PTC (W)
CGOFR1502	15	220-240	50/60	2950-3450	1200W	1600W	2800W	400

A Quality Product Of



IMPORTANT INFORMATION FOR CORRECT DISPOSAL OF THE PRODUCT IN ACCORDANCE WITH EC DIRECTIVE 2002/96/EC.

At the end of its working life, the product must not be disposed of as urban waste. It must be taken to a special local authority differentiated waste collection centre or to a dealer providing this service.

Disposing of a household appliance separately avoids possible negative consequences for the environment and health deriving from inappropriate disposal and enables the constituent materials to be recovered to obtain significant savings in energy and resources. As a reminder of the need to dispose of household appliances separately, the product is marked with a crossed-out wheeled dustbin.

Visit us at: www.cginspiringlife.com