



Table Fan INSTRUCTION MANUAL

Read this manual carefully before operation

Pictures in this manual are for reference only, the product in kind prevail.



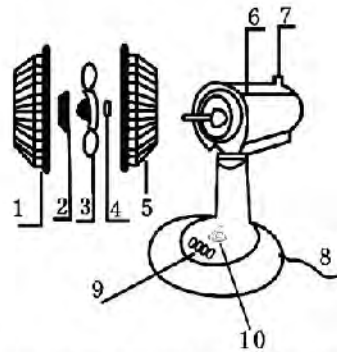
Model: CGTF16A05T

This instruction manual contains important information & recommendations that we would ask you to comply with to obtain best results from your products.

**CG CHAUDHARY[®]
GROUP**
Touching life everyday

PRODUCT PARTS IDENTIFICATION:-

- | | |
|----------------|-----------------------------|
| 1. Front Guard | 6. Motor Shell |
| 2. Blade Knob | 7. Oscillation Control Knob |
| 3. Blade | 8. Power Cord |
| 4. Blade Screw | 9. Speed Stage Switch |
| 5. Rear Guard | 10. Timer |



GRILL AND FAN BLADE ASSEMBLY

To assemble the grills and fan blade, refer to Figure 3:

1. Unscrew the Spinner clockwise and the Plastic Nut counter clockwise and remove both of them.
2. Set the Rear grill in the proper position with the Handle up.
3. Screw on the Plastic Nut tightly to attach the Rear Grill.
4. Discard the Plastic Sleeve on the Motor Shaft.
5. Install the Fan Blade onto the Motor Shaft until it reaches the retaining pin.
6. Screw the Spinner onto the Motor Shaft counter clockwise.
7. Press the rim of the Front Grill onto the Rear Grill until the front grill is proper fitted. Secure both grills firmly by tightening the fan grill locking screws and nuts through the Clip.



FIRST USE OF THE APPLIANCE:

1. After removing the all the packing material, clean the outer body of the fan with soft, clean and dry cloth. Do not use sharp objects, to clean.
2. Assemble all the parts as per mention before.
3. Never immerse motor body in any liquid or wash under running water.
4. Speed Control Push Button
- 3-High 2-Med 1-Low 0-Off



WARNING: DO NOT push two buttons at once. This may result in permanent damage to the switch.

OSCILLATION

1. OSCILLATION OF FAN IS CONTROLLED BY PULLING UP OR PUSHING DOWN THE OSCILLATION KNOB ON THE MOTOR COVER.

2. OSCILLATION ANGLE:

THE CENTER OF THE OSCILLATION ANGLE CAN BE CHANGED BY TURNING THE FAN HEAD IN RELATION TO THE SWITCH BOX.

NOTE: Oscillation knob must be in the "up" position to adjust.

3. TILTING:

THE TILT ANGLE CAN BE ADJUSTED BY TILTING THE HEAD FORWARD OR BACKWARD.



NECK

IMPORTANT SAFETY INSTRUCTIONS:-

When using electrical appliance, the following basic safety precautions should always be followed:

1. Read all the instructions before using.
2. The Appliance is not intended for commercial use.
3. Unplug from outlet when not in use before putting on or taking off parts, and before cleaning.
4. Do not operate the fan with a damaged cord or plug if it malfunctions, or has been dropped or damaged in any manner, Return fan to the nearest authorized service center for examination, repair, electric shock or mechanical adjustment.
5. Before connecting the appliance to the power supply please check the voltage indicated on the appliances corresponds with the voltage in your home.
6. The main body of the appliance must not be immersed in water.
7. Always remove the plug from the wall socket
 - After use
 - In case of any malfunction
 - Before cleaning
8. Never use the fan unsupervised! Switch off the fan whenever you are at not using it, even if this is for a moment.
9. Do not use the fan with moist hands.
10. Never allow a child to operate the fan; if at all children should be supervised to ensure that they do not play with fan.
11. This fan is not intended for use by persons (including children) with reduced physical, sensory or mental capabilities, or lack of experience and knowledge, unless it is done under proper supervision.
12. The appliance is not to be used by persons (including children) with reduced physical, sensory or mental capabilities, or lack of experience and knowledge, unless they have been given supervision or instruction.
13. Children being supervised not to play with the appliance

NOTE: You must complete assembling fully; otherwise you cannot switch on fan.

WARRANTY AND SERVICES

Please go through the terms and conditions as mentioned in the warranty card with adhere to all the safety points as mentioned in this instruction manual.

The warranty shall not apply to replacements of parts such as carbon brushes, lid rubber ring, coupler, shaft blade, brush handle and mains cord.

Plastic and glass parts, which are breakable, are not covered under this warranty.

NOTE:

- PRODUCTS AND PARTS ARE INDICATIVE ONLY, THE ACTUAL PRODUCT MAY DIFFER.
- THE COMPANY RESERVES RIGHTS TO CHANGE THE SPECIFICATION OF ITS MODLES AT ANY POINT OF TIME
- KEEP INSTRUCTION MANUAL, AND WARRANTY CARD SAFELY FOR FUTURE RECCOMENDATIONS.

**A Quality Product
Of**

**CG CHAUDHARY®
GROUP**
Touching life everyday



**IMPORTANT INFORMATION FOR CORRECT DISPOSAL OF THE PRODUCT
IN ACCORDANCE WITH EC DIRECTIVE 2002/96/EC.**

At the end of its working life, the product must not be disposed of as urban waste. It must be taken to a special local authority differentiated waste collection centre or to a dealer providing this service.

Disposing of a household appliance separately avoids possible negative consequences for the environment and health deriving from inappropriate disposal and enables the constituent materials to be recovered to obtain significant savings in energy and resources. As a reminder of the need to dispose of household appliances separately, the product is marked with a crossed-out wheeled dustbin.

Visit us at: www.cginspiringlife.com