

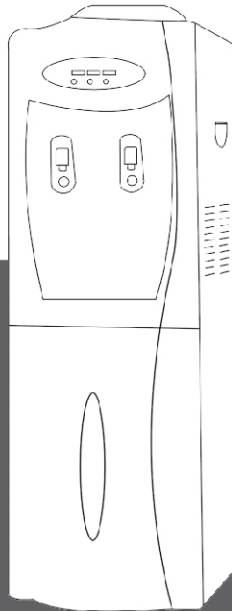


WAER DISPENSER

INSTRUCTION MANUAL

Read this manual carefully before operation

Pictures in this manual are for reference only, the product in kind prevail.

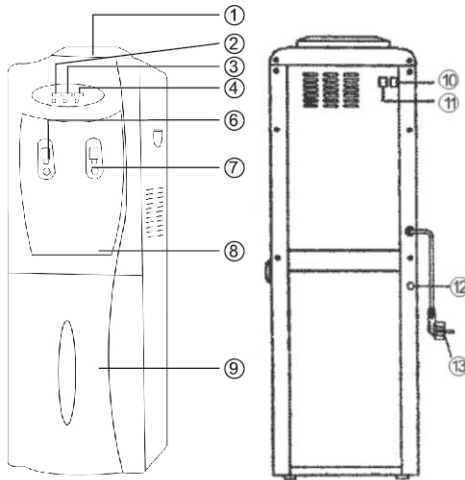


Model : CGWD38C02HN

This instruction manual contains important information & recommendations that we would ask you to comply with to obtain best results from your products.

CONSTRUCTION AND NAME

(Also suitable for desk-top water dispenser)



1. water guard
2. Power indicator light
3. Heating indicator light
4. Warning indicator light
6. Hot water tap
7. Normal water tap
8. Drip box
9. Cabinet
10. Heating switch
11. Cooling switch
12. Drainage valve
13. Mains cord

(The picture is only for reference, it may not be the picture of the model.)

VERY IMPORTANT! YOU MUST READ BEFORE USE.

Please check the water dispenser and carton for evidence of rough handling and concealed damage. File damage claims with the carrier or return the water dispenser to the place of purchase.

If the supply cord is damaged, it must be replaced by the manufacturer, its service agent or similarly qualified persons in order to avoid a hazard.

To place the unit steadily, please fix the Metal Fix Device we supply with the water dispenser, please fix it between the unit and the wall with steel nail or expanding nail.

UNITS WITH HOT TANKS

Note: On Hot and Cold units, the hot tank must be filled with water before connecting water dispenser to the electrical source. Air must be bled out of the hot tank by depressing the hot side (red) faucet to fill the hot tank with water before energizing the unit. (The tank is full when water is free of air bubbles and flows from the hot faucet). All Hot and Cold units are equipped with an On/Off switch, which controls the hot tank. The On/Off switch is located on the rear of the water dispenser.

BASIC OPERATIONAL GUIDELINES

First use, please fill the cold tank (semiconductor) with water. Air must be bled out of the cold tank by depressing the cold side (green or blue) faucet to fill the cold tank with water.

Always unplug the water dispenser from the wall outlet when out of water.

Locate the water dispenser cooled by semiconductor in a well-ventilated area making sure there is at least 2" (about 5 cm) of clearance around the back of it for proper airflow. The noise level of the machine is below 70dB.

Locate water dispenser within reach of a suitable grounded electrical outlet.

To help prevent algae growth, do not place water dispenser in direct sunlight or in front of heating vents.

Do not locate water dispenser in area where the temperature may fall below freezing.

The water dispenser is pre-cleaned at the factory. However, the reservoir and water lines must be sanitized and flushed with fresh water before use. Regular cleaning and sanitizing is advised to ensure continued quality of water consumed. Before plugging in, check the power label on the rear of the unit to ensure the power supply is correct. Serious damage could result if the incorrect supply is used.

Never rest cigarettes on water dispenser top. Do not use it as a shelf for plants or storage of other objects. Keep area around water dispenser free of dust and dirt.

If water accidentally splashes inside the water dispenser, unplug the unit, remove excess water and dry out before putting back into service.

Do not locate water dispenser in area where the temperature may fall below freezing. The suitable surrounding temperature is 10°C to 38°C. If ice-jam happened, let water dispenser stand for a few minutes to allow any ice in the reservoir to melt. Add hot water to speed up this process, and at the same time, remain the power off for a longer period of time when no one is using it, and this saves energy and prolongs the lifetime of the semiconductor.

Never place the water dispenser out of doors, it is not suitable. When used, please do not incline it exceed 45 degree. Please do not use it in water-spraying condition, the water dispenser also can not be sanitized by way of water-spraying.

HOW TO CLEAN AND SANITIZE YOUR WATER DISPENSER

1. Unplug the water dispenser from the electrical outlet.
2. Shut off the water supply and remove the water guard.
3. Drain off any water left in the reservoir and hot and cold tanks through the faucets and drain plugs.
4. Fill reservoir 3/4 full of fresh clean water and add 1/2 tablespoon of liquid bleach to water. Do not use a stronger sanitizing solution!
5. Allow water to stand for 5 to 7 minutes.

6. Drain sanitizing solution out of the reservoir through the faucets and drain plugs.
7. Flush thoroughly with clean water.
8. If a taste problem develops, place 1 tablespoon of baking soda into water tank and add fresh water. Allow this solution to stand for 5 minutes, then drain.

Note: please do not clean the water dispenser with spraying water, besides, the machine can not be allowed to dip in any solution.

HOW TO REMOVE MINERAL DEPOSITS

Use a solution of distilled vinegar and water, and scrub reservoir with sponge or cloth. Do not use steel wool to clean reservoir. This will leave small metal filings in the reservoir and it will eventually damage it.

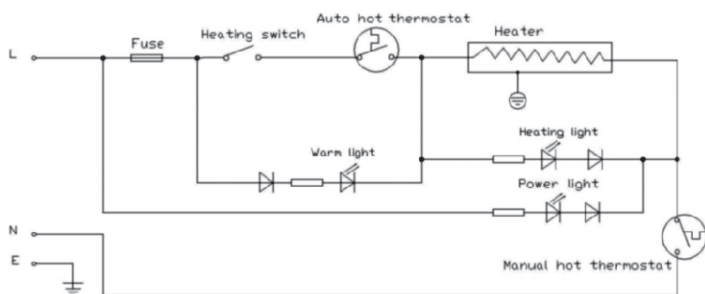
CLEANING OF PLASTIC PARTS AND EXTERIOR PLASTIC

Periodic cleaning of drip tray, water guard, and reservoir is required. To clean, use liquid soap and warm water. Avoid using abrasive cleaners. Drip tray should not be used to dispose of unwanted beverages.

Do not use formulated cleaner or similar products on plastic parts. These products contain chemicals that can cause the plastics to become brittle.

The water dispenser exterior can be cleaned with liquid soap and warm water. Make sure washed parts are rinsed properly and all soap residue is removed. (Do not use abrasive cleaners, which can scratch surfaces.)

ELECTRIC DIAGRAM



**A Quality Product
Of**

**CG CHAUDHARY®
GROUP**
Touching life everyday



**IMPORTANT INFORMATION FOR CORRECT DISPOSAL OF THE PRODUCT
IN ACCORDANCE WITH EC DIRECTIVE 2002/96/EC.**

At the end of its working life, the product must not be disposed of as urban waste. It must be taken to a special local authority differentiated waste collection centre or to a dealer providing this service.

Disposing of a household appliance separately avoids possible negative consequences for the environment and health deriving from inappropriate disposal and enables the constituent materials to be recovered to obtain significant savings in energy and resources. As a reminder of the need to dispose of household appliances separately, the product is marked with a crossed-out wheeled dustbin.