



Wall Fan INSTRUCTION MANUAL

Read this manual carefully before operation

Pictures in this manual are for reference only, the product in kind prevail.



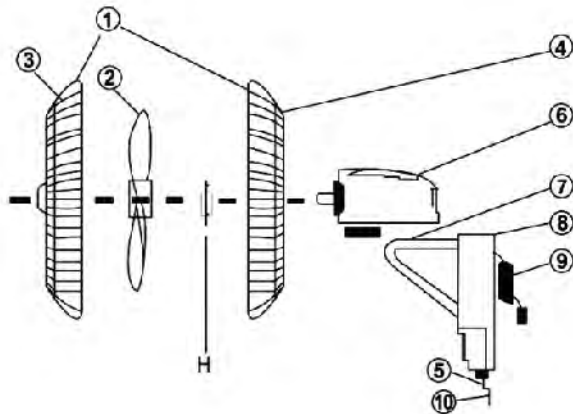
Model: CGWF16A05T/ CGWF16A05TR

This instruction manual contains important information & recommendations that we would ask you to comply with to obtain best results from your products.

**CG CHAUDHARY®
GROUP**
Touching life everyday

PRODUCT PARTS IDENTIFICATION:-

1. GRILL
2. BLADE
3. GRILL CLIP
4. HANDEL
5. MOVING HANDEL
6. NECK JOINT
7. STAND
8. STAND
9. CORD WIRE
10. SWITCH



ASSEMBLING:

BLADE AND GUARD ASSMBLY

GRILL AND FAN BLADE ASSEMBLY

To assemble the grills and fan blade, refer to Figure 3.

1. Unscrew the Spinner clockwise and the Plastic Nut counter clockwise and remove both of them.
2. Set the Rear grill in the proper position with the Handle up.
3. Screw on the Plastic Nut tightly to attach the Rear Grill.
4. Discard the Plastic Sleeve on the Motor Shaft.
5. Install the Fan Blade onto the Motor Shaft counter clockwise.
6. Screw the Spinner onto the Motor Shaft counter clockwise.
7. Press the rim of the Front Grill onto the Rear Grill until the front grill is properly fitted. Secure both grills firmly by tightening the fan grill locking screws and nuts through the Clip.



FIRST USE OF THE APPLIANCE:-

1. After removing the all the packing material, clean the outer body of the fan with soft, clean and dry cloth. Do not use sharp objects, to clean.
2. Assemble all the parts as per mention before.
3. Never immerse motor body in any liquid or wash under running water.

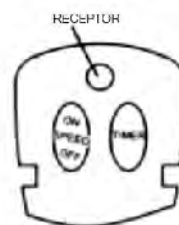
OPERATING INSTRUCTIONS

MANUAL CONTROL OPERATION

To operate the fan manually, use the buttons on the Fan Control Panel (first, make sure the remote control is detached from the Fan Control Panel to access the buttons).

ON/SPEED/PFF button:

Press the ON/SPEED/OFF button to turn the fan ON, to change the speed from Low(L), Medium(M), or High(H), or to turn if OFF.



Fan Control Panel

TIMER button:

Press the Timer button until the desired time of 1, 2, or 4 hours is selected. The fan will operate for the desired length of time chosen and then will shut off automatically. To turn the Time OFF, press the button until all of the timer lights are off.

ADJUSTING THE FAN HEIGHT

Turn the Height Adjustment Ring on the fan column counter clockwise. Lift or lower the fan column to the desired height and turn the Height Adjustment Ring clockwise to secure tightly in place.

ADJUSTING THE WIND DIRECTION

Push the grills slightly up or down to the desired direction.

IMPORTANT SAFETY INSTRUCTIONS:-

When using electrical appliance, the following basic safety precautions should always be followed:

1. Read all the Instructions before using.
2. The Appliance is not intended for commercial use.

3. Unplug from outlet when not in use before putting on or taking off parts, and before cleaning.
4. Do not operate the fan with a damaged cord or plug if it malfunctions, or has been dropped or damaged in any manner, Return fan to the nearest authorized service center for examination, repair, electric shock or mechanical adjustment.
5. Before connecting the appliance to the power supply please check the voltage indicated on the appliances corresponds with the voltage in your home.
6. The main body of the appliance must not be immersed in water.
7. Always remove the plug from the wall socket
 - o After use
 - o In case of any malfunction
 - o Before cleaning
8. Never use the fan unsupervised! Switch off the fan whenever you are at not using it, even if this is for a moment.
9. Do not use the fan with moist hands.
10. Never allow a child to operate the fan; if at all children should be supervised to ensure that they do not play with fan.
11. This fan is not intended for use by persons (including children) with reduced physical, sensory or mental capabilities, or lack of experience and knowledge, unless it is done under proper supervision.

NOTE: You must complete assembling fully; otherwise you cannot switch on fan.

CAUTION: DO NOT ALLOW WATER TO RUN INTO THE FAN AS THIS COULD CREATE A FIRE OR ELECTRIC SHOCK HAZARD.

Do not remove any parts during the operation.

CLEANING AND CARE

1. Switch off and unplug the fan.
2. The each part can be disassembling using reverse process of assembly.
3. Plastic parts should be cleaned with mild soap and a damp cloth or sponge. Thoroughly remove soap film with clean damp cloth.
4. Do not use scouring pads, abrasive and hard detergents.
5. Do not immerse the motor unit in any liquid.
6. Store fan in a clean dry place when not in use.

No other user maintenance is required or recommended.

WARRANTY AND SERVICES

Please go through the terms and conditions as mentioned in the warranty card with adhere to all the safety points as mentioned in this instruction manual.

The warranty shall not apply to replacements of parts such as carbon brushes, lid rubber ring, coupler, shaft blade, brush handle and mains cord.

Plastic and glass parts, which are breakable, are not covered under this warranty.

NOTE:

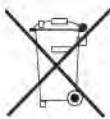
- PRODUCTS AND PARTS ARE INDICATIVE ONLY, THE ACTUAL PRODUCT MAY DIFFER.
- THE COMPANY RESERVES RIGHTS TO CHANGE THE SPECIFICATION OF ITS MODLES AT ANY.
- KEEP INSTRUCTION MANNUAL, AND WARRANTY CARD SAFELY FOR FUTURE RECCOMENDATIONS.

**A Quality Product
Of**

**CG CHAUDHARY®
GROUP**
Touching life everyday



**IMPORTANT INFORMATION FOR CORRECT DISPOSAL OF THE PRODUCT
IN ACCORDANCE WITH EC DIRECTIVE 2002/96/EC.**



At the end of its working life, the product must not be disposed of as urban waste. It must be taken to a special local authority differentiated waste collection centre or to a dealer providing this service.

Disposing of a household appliance separately avoids possible negative consequences for the environment and health deriving from inappropriate disposal and enables the constituent materials to be recovered to obtain significant savings in energy and resources. As a reminder of the need to dispose of household appliances separately, the product is marked with a crossed-out wheeled dustbin.

Visit us at: www.cginspiringlife.com