

Table Blender

INSTRUCTION MANUAL

Read this manual carefully before operation

Pictures in this manual are for reference only, the product in kind prevail.



Model: CGMRTB01

**This instruction manual contains important information
& recommendations that we would ask you to comply
With to obtain best results from your products.**

IMPORTANT SAFEGUARDS

When using electrical appliance. Basic safety precautions should always be followed including the following:

1. Read all instructions.
2. Before using check that the voltage power corresponds to the one shown on the appliance nameplate.
3. Do not let cord hang over edge of table or counter.
4. Do not operate any appliance with a damage cord or plug or after the appliance malfunction or has been damaged in any manner. Return the appliance to the nearest authorized service facility for examination, repair or adjustment.
5. If the supply cord is damaged, it must be replaced by the manufacture or its service agent or a similarly quality person in order to avoid a hazard .
6. Close supervision is necessary when any appliance is used by or near children.
7. Avoid contacting moving parts.
8. Blades are sharp, so handle carefully.
9. Never use hot liquids or run the appliance empty.
10. The use of accessory not recommended or sold by the manufacturer may cause fire, electric shock or injury .
11. The appliance can not be used for blending or grinding hard and dry substance, otherwise the blade could be blunted. But it can be used for blending ice cube.
12. Unplug from outlet when not in use, before putting on or taking off parts, and before cleaning.
13. To protect against risk of electrical shock do not put unit in water or other liquid.
14. Be sure blending cover is accurately put in place before operating appliance
15. Keep hands and utensils out of container while blending or grinding to reduce the risk of severe injury to persons or damage to the blender. A scraper may be used but must be used only when the blender is not running.
16. To reduce the risk of injury, never place cutter-assembly blades on base without jar or bowl properly attached.
17. This appliance is not intended for used by persons (including children) with reduced physical, sensory or mental capabilities, or lack of experience and knowledge, unless they have been given supervision or instruction concerning use of the appliances by a person responsible for their safety.

18. Children should be supervised to ensure that they do not play with the appliance.
19. Do not immerse the Motor Unit into water or other liquids.
20. Do not use outdoors.
21. This appliance is intended to be used in household and similar applications such as:
 - Staff kitchen areas in shops, offices and other working environments;
 - Farm houses;
 - By clients in hotels, motels and other residential type environments;
 - Bed and breakfast type environments.
22. Save these instructions.
23. Switch off the appliance and disconnect from supply before changing accessories or approaching parts that move in use.
24. Care shall be taken when handling the sharp cutting blades, emptying the bowl and during cleaning.
25. Appliance shall warn of potential injury from misuse.
26. the blender is only to be used with the stand provided.
27. CAUTION: Ensure that the blender is switched off before removing it from the stand.

HOUSEHOLD USE ONLY

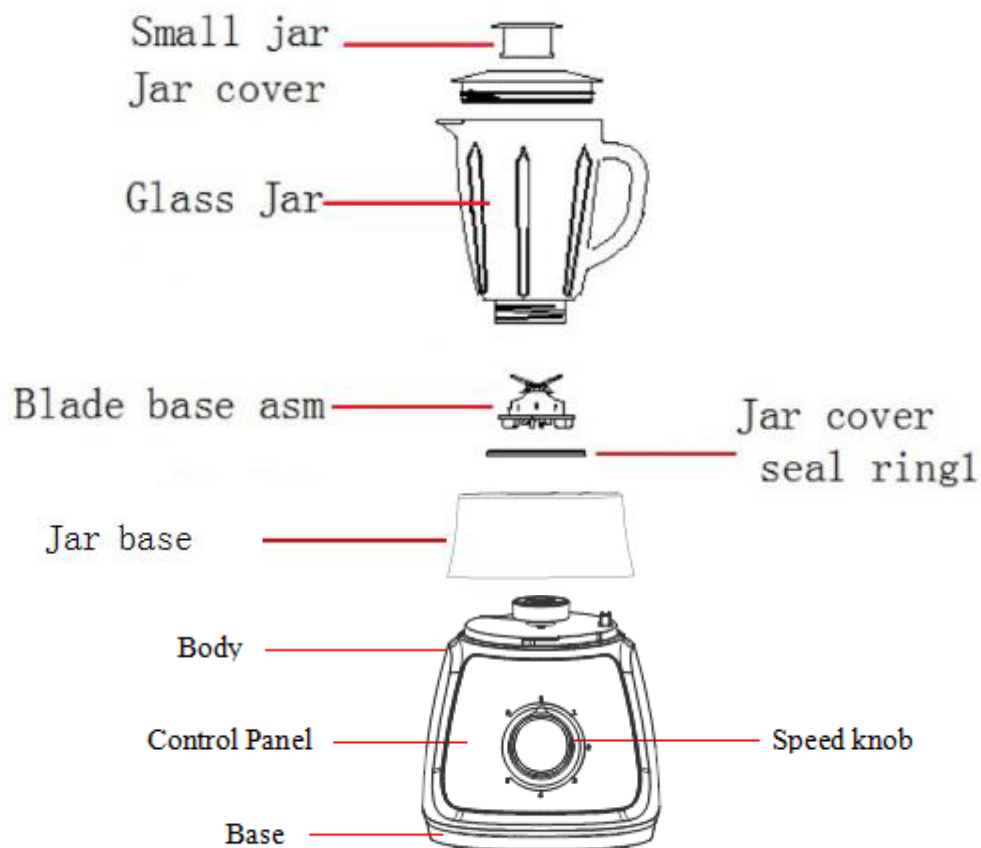
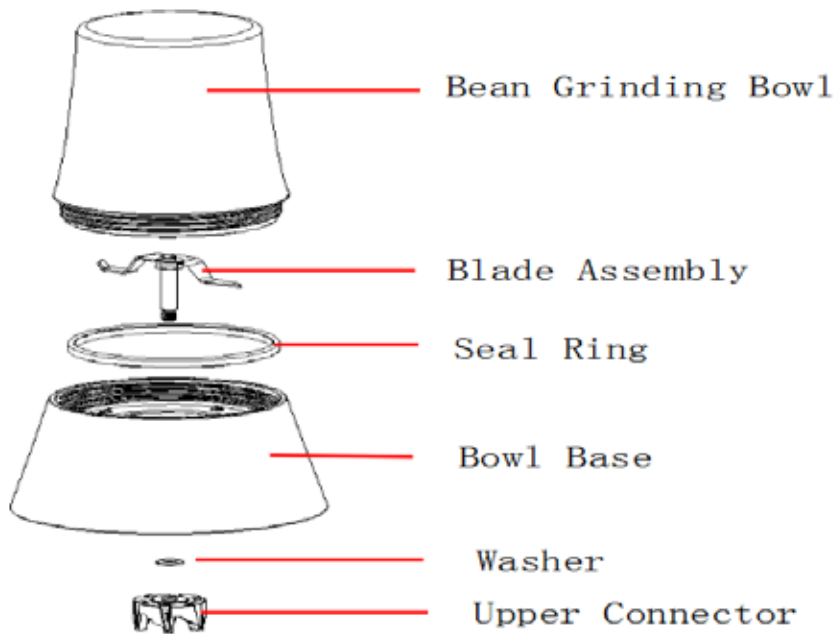
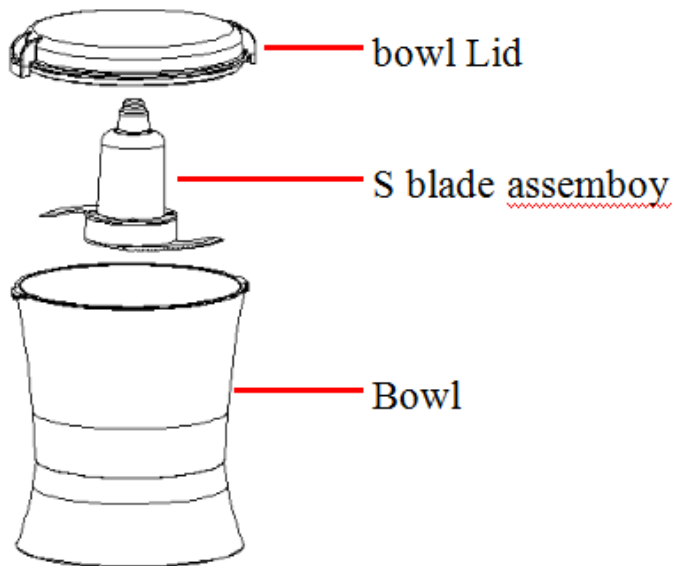


Fig.1



GRINDING ATTACHMENT



CHOPPER_BOWL

SWITCH BOTTON

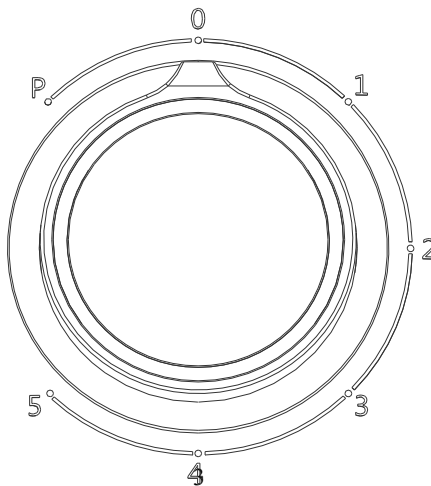


Fig.2

HOW TO USE

Before initial use

1. Before first use, unpack the appliance and place all parts on a horizontal surface.
2. Ensure the **Speed Selector** to “0” Position, then plug into power outlet and set **Speed Selector** to your desired setting. You can press down the **Pulse button** without releasing it if want to accelerate the process of blending. The detailed information is shown in below Fig. 2

NOTE: Make sure the jar cover is placed in position completely before operating, and never open the jar cover during operation. In addition, for the sake of consistency, you can use the stir stick to stir mixture through the opening in the center of the measuring cup.

3. Once all pieces have been cleaned and dry thoroughly, reassemble.
 - 1) Invert the jar onto a level surface, holding the jar handle, put the the blade assembly onto the jar base bottom and secure the blade assembly by turning it anti-clockwise until tight (See Fig.3)
 - 2) Reposition the jar assembly with its opening upwards. Wrap the seal ring 1 around the lid bottom and put the lid onto the jar assembly. Place the measure cup exactly into the lid by fitting the small projection on the both sides of the cup into the slots of the lid and turning the cup clockwise until tight. (See Fig.4)
 - 3) Finally, place the assembled jar onto the motor unit by aligning the strip on the assembled jar bottom. (See Fig.5)

CAUTION: Jar and jar base is now secure. Do not try to twist the jar and jar base onto motor unit

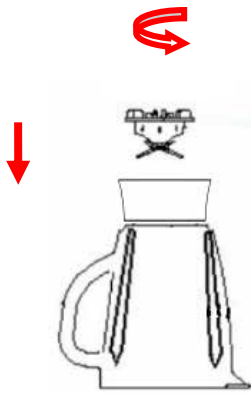


Fig.3

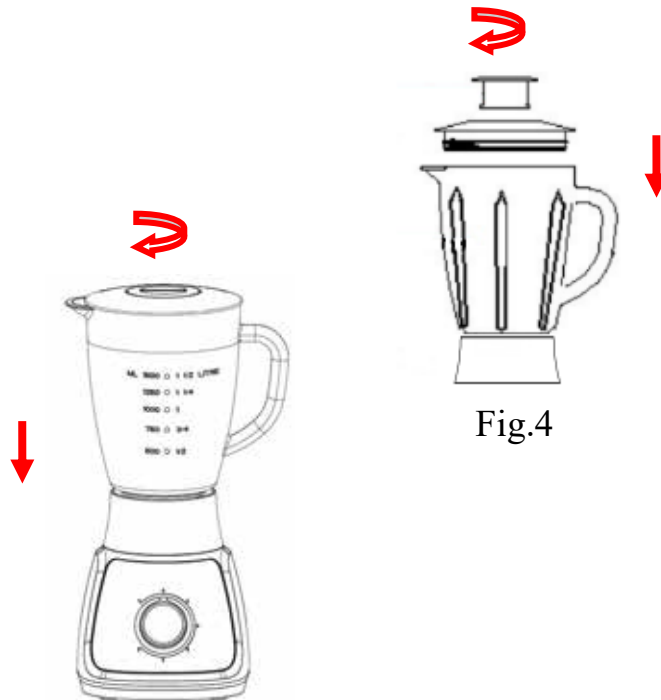


Fig.4

Fig.5

How to use

1. Peeled or cored the fruit or vegetables and then cut it into small dices.
2. Place the food to be blended into the jar (See Fig.6). Usually, certain amount of purified water has to be added to facilitate the smooth running of appliance. The proportion of the food and water is 2:3. The amount of mixture should not exceed the max level as indicated on the jar.

RECIPE

FOOD TYPE	SPEC	WEIGHT	SPEED	OPERATE TIME
Carrot (apple, pear etc.)	Cut into 15mm*15mm*15mm	Carrot: 600g Water: 900g	High speed	2 min

Note: never use boiling liquids or run the appliance empty.

3. Put the lid on the jar. Be sure the measuring cup is in place.
4. Plug the power cord into a standard wall outlet.
5. Choose to the appropriate speed setting for your task.
6. For quick or delicate blending tasks, press the key to “HIGH PULSE” position and hold for a few seconds and then release, the key will reset to “O” position automatically. Operate several times until the consistence you want is obtained
7. If you want to add ingredients while the blender is working, remove the measuring cup and place through the lid opening. (See Fig.7)
8. When crushing ice or hard food, keep one hand firmly on the lid.
9. When the consistence you desire is obtained, press the key to “O” position.

Note: 1) For each use, the consecutive operation time should not exceed 2 minutes. at least 10 minutes rest time must be maintained between two continuous cycles, let the unit cool to room temperature before performing next operation cycle.

2) If you want to stop the machine during operation, press the key to “O” position anytime.

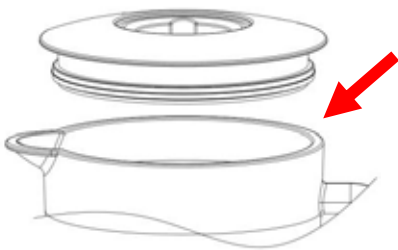


Fig.6

Before blending, add food to be blended into the jar.

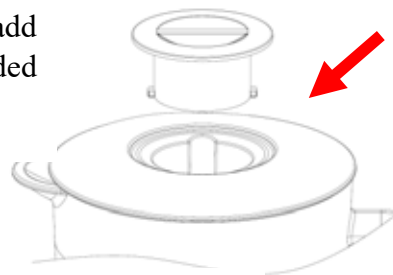


Fig.7

During blending, add the ingredient through the lid opening.

Important operating tips

10. Fill the grinding bowl with proper bean (such as coffee bean), then assemble the grinding blade assembly and grinding bowl together. Please see.

NOTE: The quantity of bean to be allowed to grind by the grinding bowl is Max 35g, and the finished time is about 20s.

11. Then place the prepared chopping food into the bowl. The food must be cut into small size firstly (such as 2cm*2cm*6cm for beef).

NOTE: The appliance allows you to chop the maximum quantity of beef or meat is 150g. Select the highest speed and operate for 40s.

- For best circulation of food that are to be blended with some liquid, pour the liquid into the jar first, then add solids.

- Some of the tasks that cannot be performed efficiently with a blender are: beating egg whites, whipping cream, mashing potatoes, grinding meat, mixing dough, extracting juice from fruit and vegetable
- The following items should never be placed in the unit as they may cause damage: bones, large pieces of solid, frozen food, or tough foods such as turnips.
- To crush ice, add up to 6 ice cubes. If more ice is needed, remove the cup and add cubes one by one through the lid opening.

CARE AND CLEANING

This product contains no user serviceable parts. Refer service to qualified service personnel.

1. Before cleaning, unplug the blender.
2. Always wash immediately after use for easier cleaning. Don't let food dry on the jar assembly as this will make cleaning difficult.
3. Pour a little warm soapy water into the jar and turn the knob to P position for a few seconds. And then empty the jar.
4. Dismantle all detachable parts. Lift the jar assembly off the motor unit, To detach the blade assembly by turning it clockwise from the jar base bottom , and remove the blade assembly (see fig.8). In addition, detach the jar cover seal ring 1 from the jar cover.

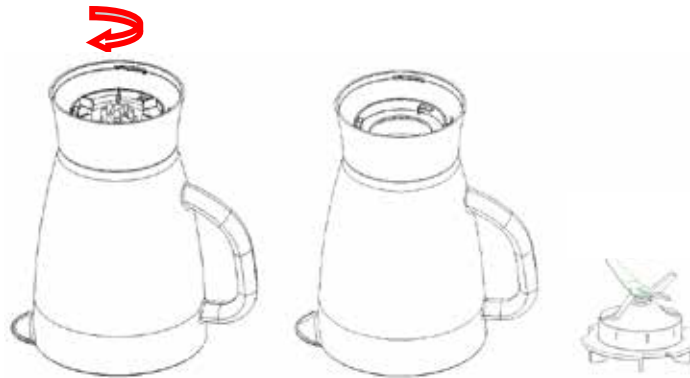


Fig.8

5. Rinse the measure cup, lid, seal ring 1, jar,and blade assembly by hands or in a dishwasher and then dry. They are dishwasher safe components, but the temperature setting shall not exceed 70°C.
6. Brush the blade clean using warm soapy water, then rinse thoroughly under the tap. Don't touch the sharp blades, handle carefully. **Don't immerse the blade assembly in water.** Leave to dry upside down away from children.
7. Wipe the motor unit with a damp cloth and dry thoroughly. Remove the stubborn spots by rubbing with non-abrasive cleaner. If liquids spill into the motor unit; first unplug the unit, then wipe with a damp cloth and dry thoroughly.
8. 8.Warning: Blending maximum level load or hard fruits and vegetables must be sure that the speed selector is setting at highest speed (speed 5). If the speed is used too low, the motor will be damaged due to insufficient torque. When the motor speed is found to be too slow, you must immediately use a higher speed setting to blend or turn the speed selector to “0” to stop blend!

CAUSION

- 1) **Do not immerse the motor unit in liquid to prevent the risk of electric shock.**
- 2) **Do not use rough scouring pads or cleansers on parts or finish.**

Correct Disposal of this product



This marking indicates that this product should not be disposed with other household wastes throughout the EU. To prevent possible harm to the environment or human health from uncontrolled waste disposal, recycle it responsibly to promote the sustainable reuse of material resources. To return your used device, please use the return and collection systems or contact the retailer where the product was purchased. They can take this product for environmental safe recycling.

A Quality Product Of



IMPORTANT INFORMATION FOR CORRECT DISPOSAL OF THE PRODUCT IN ACCORDANCE WITH EC DIRECTIVE 2002/96/EC.

At the end of its working life, the product must not be disposed of as urban waste. It must be taken to a special local authority differentiated waste collection centre or to a dealer providing this service.

Disposing of a household appliance separately avoids possible negative consequences for the environment and health deriving from inappropriate disposal and enables the constituent materials to be recovered to obtain significant savings in energy and resources. As a reminder of the need to dispose of household appliances separately, the product is marked with a crossed-out wheeled dustbin.