

USER MANUAL

A Quality Product
Of

**CG CHAUDHARY®
GROUP**
Touching life everyday



CG-EW10A01

**CG CHAUDHARY®
GROUP**
Touching life everyday

PACKING LIST

No.	Name	Unit(piece)
1	Electric Storage Heater	1
2	User Manual	1
3	Inflation Bolt	2
4	Safety Valve	1

CONTENTS

The Operating Procedures.....	1
The Product Features.....	1
Security Characteristics.....	1
Technical Reference Data.....	2
Product Structure.....	2
Installation Instructions.....	3
Pipe Connection.....	3
Installation Special Notice.....	5
Maintenance.....	5
Electrical Connection.....	5
Wiring Diagram.....	6
Troubleshooting Guide.....	6
Packing List.....	Back Cover

THE OPERATING PROCEDURES

- Check all the piping connection for leakage before turning on the electric power of the heater.
- Make sure that the tank is fully filled up with water, otherwise it will cause the heating elements to be damaged.
- Turn on the mains electrical power supply and then adjust the temperature knob clockwise for higher temperature and anti-clockwise for lower temperature.
- The water heater needs to be turn on for a certain period of time to reach the acceptable temperature.
- During the heating process, it's normal to see a slight drip at the safety valve. Please do not cover up the safety valve outlet hole.
- Connect this outlet hole to a discharge pipe. Water may drip from the discharge pipe of the safety valve, therefore this pipe must be exposed to the atmosphere.
- The safety valve is to be operated regularly (preferably at least every six months) to remove lime deposit and to ensure that it is not blocked.

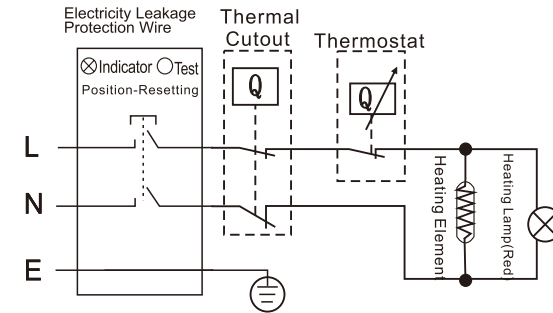
THE PRODUCT FEATURES

- Unique Profile
- Sapphire golden silicon tank which is rust-proof, erosion-proof and with higher efficiency and having a longer life span.
- Energy saving with minimum heat loss. The water temperature is able to be maintained up to 48 hours after the electricity is switched off.
- Rate power heating: 2000W.

SECURITY CHARACTERISTICS

- This appliance can be used by children aged from 8 years and above and persons with reduced physic sensory or mental capabilities or lack of experience and knowledge if they have been given supervision instruction concerning use of the appliance in a safe way and understand the hazards involved. Children shall not play with the appliance. Cleaning and users maintenance shall not made by children without supervision.
- This electrical water heater must be installed with a mono-directional safety valve at the inlet pipe (blue indicator) When the tank's pressure is over 0.8 Mpa , this will automatically active the safety valve. Water

WIRING DIAGRAM



TROUBLESHOOTING GUIDE

Symptom	Cause	Solution
Indicator light does not light up.	<ol style="list-style-type: none"> 1. The power source not connected or badly connected. 2. Indicator damaged. 3. The overheating sensor activated. 	Get the professional technician to check the electrical wiring and indicators.
Water Temperature not warm enough.	<ol style="list-style-type: none"> 1. The element is defective 2. Temperature controller mal-function. 3. No power to water heater. 	<ol style="list-style-type: none"> 1. Replace the element 2. Call customer service for repair 3. Check power supply.
No water from the warm water tap.	<ol style="list-style-type: none"> 1. Main water valve not turn on. 	<ol style="list-style-type: none"> 2. Turn on the main water.
Water leakage	<ol style="list-style-type: none"> 1. Leaking from plumbing connection. 2. Leaking at gasket 	<ol style="list-style-type: none"> 1. Tighten the connection. 2. Tighten the element or replace the gasket.
Electrical mains tripped	<ol style="list-style-type: none"> 1. Element short circuit. 	<ol style="list-style-type: none"> 1. Replace element.


INSTALLATION SPECIAL NOTICE

- Electricity on after water tank full of water.
- Plumber of installation worker should use "ROLL THREAD TAPE" between connect inlet nipple and safety valve.

MAINTENANCE

- All maintenance operation must be carried out by a qualified personnel.
- Before contacting the customer service, make sure the suspected failure is not caused by a temporary lack of water.
- To discharge the water completely from the tank, remove the safety valve from the water heater. Before removing the valve, the power of the heater need to be switched off for the tank to cool down (outlet connection must also be disconnected)

ELECTRICAL CONNECTION

- The electrical connection must be done by a qualified electrician.
- The electrical supply is connected directly to the connector provided with the earth connection. The ground wire must be green/yellow in colour and attached to the terminal marked by the symbol. 
- The heater must be connected to the electricity supply that out of reach from the person using the shower.
- All wiring must conform to local requirements. If in doubt, please consult a qualified electrician.

Note: All plumbing connections must be completed before making the electrical connections. Fill the tank with water and turn on the tap to let the water exiting out from the tank until all the air has been expelled out.

will exit at the drain pipe outlet(Diagram1). In any condition, this outlet must not be blocked.

- If there is a need to empty the water in the tank, first, close the mains water. Remove the Fixed Screw Nail on the safety valve. Lift up the plastic handle(see diagram 2) to let the water flow out naturally.

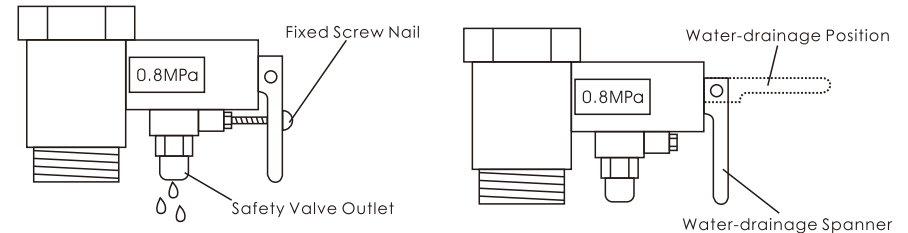


Diagram 1

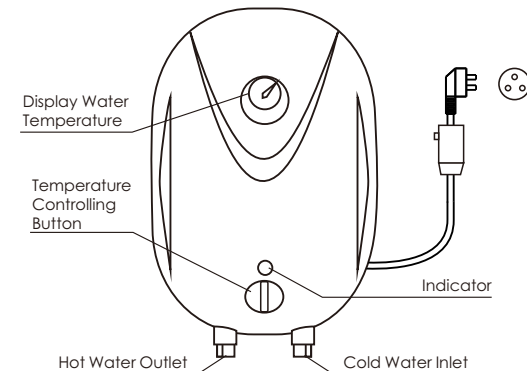
Diagram 2

TECHNICAL REFERENCE DATA

Rated Volume	6L, 10L		
Rated Voltage	230V~	Rated Power	2000W
Rated Pressure	0.8MPa	Rated Frequency	50Hz
Rated Water Temperature	65°C, 75°C	Heating Efficiency	>90%
Water-proof Degree	IPX4	Structure Mode	Hermetically closed typed water storage style

PRODUCT STRUCTURE

Diagram 3



INSTALLATION INSTRUCTIONS

- The installation for electrical and plumbing work must be carried out by qualified personnel, according to the installation instructions and in compliance to the local authority regulations
- Unit has to be installed as near as possible to the service points, in order to reduce heat loss along the pipes. To facilitate maintenance, allow a distance of 50cm for easy access to the electrical parts.
- This electrical water heater should be mounted on a solid cement wall, preferably where it is close to the power source's sockets and water source.
- Please use our company's fitted accessories to mount this electric water heater.
- Before determining the bolt hole's position, you should ensure that the heater is more than 200mm from the ground or ceiling board. This will leave space for maintenance when necessary.
- Assembling method: After selecting the proper fixing positions, use the inflating bolt to secure the hanging board firmly, then hook the electric water heater. (Diagram 4)

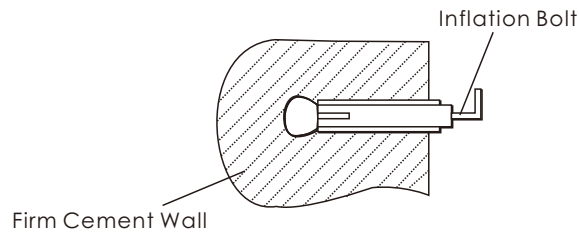


Diagram 4

PIPE CONNECTION

- All piping parts are BSP ½". Wind some white tape at the thread sector of the inlet pipe (marked blue).
- Fix the safety valve to the inlet pipe and then connect it to the cold water pipe of the mains.
- Install a water drainpipe to the safety valve to drain away water discharge. (drain pipe joint outlet – diagram 5).
- Install the drainpipe in a continuously downward direction and in a frost free environment.
- Connect the hot water pipe (marked red) to the outlet pipe.
- Do not over-tighten the safety valve and all pipes joint as it may cause damage to the joints.
- Make sure all pipes are clean before installing the taps and showers.

Diagram 5

