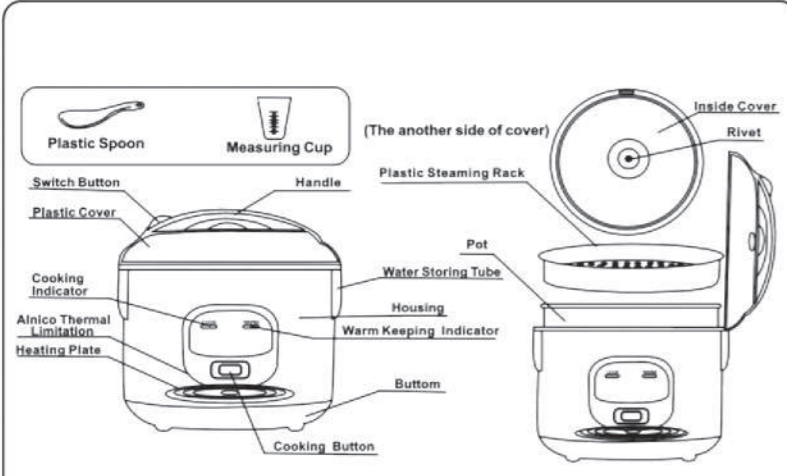
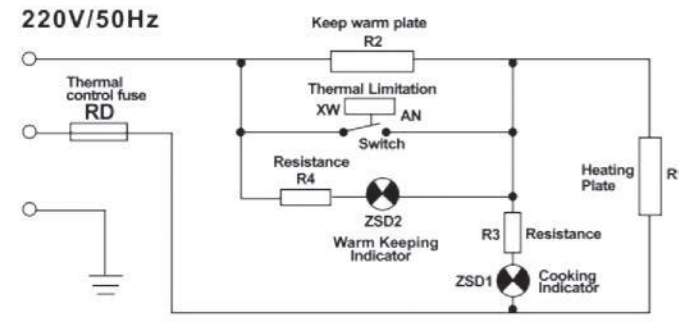


**Components**



**Circuit Diagram**



**Features:**

1. Luxurious elegant design, high quality.
2. All round heat circulation, heat from the base and the sidewalls.
3. Non-stick coating for easy cleaning.
4. Two-layer outside cover, multi-layer sealing ring to keep warm and to conduct heat efficiently.
5. The inside lid and water storing tube prevents the cooker from being overfilled.

**Cooking Quality**

**Instruction:**

**Cook Rice**

- 1.measure out the rice.**  
Use the attached cup to measure out the needed rice. 1cup:0.18litres, about 150g
- 2.wash the rice**  
Use other utensils to wash the rice clean. That washing rice directly in the pot is not allowed, in order to avoid abrading the coating or deforming the base.

- 3.add water**  
Put the washed rice into the pot and distribute evenly in the pot, (uneven distribution will cause bad cooking effect)add moderate water according to the rice quality and one's taste.

- 4.place the pot into the housing.**  
Wipe the water, sticking stains away from the outside of the pot, check and clean the pot base and the heating plate, place the pot into the housing, rotate lightly to ensure a full contact between the a click sound is heard.

- 5.close the covers**  
Lock the inside cover to the outside cover using the rivet on the outside cover. push down the handle on the outside cover until a click sound is heard.



- 6.connect power**  
After attaching the plug to the appliance, plug cord into the outlet, the power indicator will illuminate then, which means power has got through.

- 7.cook food**  
Push down the cooking button, the cooking indicator illuminates and cooking begins.

- 8.stew food**  
When all the water in the rice has been dried away, the cooking button bounces off automatically, the cooking indicator goes off and the warm keeping indicator goes on. keep this state for fifteen minutes to improve the food's colour, flavour and taste.

- Keep Warm**
- 1.If not for immediate enjoyment, the cooker will keep the food warm at 70 centigrade automatically.
  - 2.Unplug from the outlet and the appliance in time after cooking.

- Cleaning**
- 1.Take out the pot and the inside cover, wash them with water and wipe dry.
  - 2.Take off the water storing tube, empty it, wash and reset it.
  - 3.wipe the outside of the pot and clean it with soft cloth.
  - 4.Do not use steel scourer or other coarse or abrasive cleaners to clean the pot .these will damage the surface..
  - 5.In case that rice grain or other stains may be attached to the heating plate,320#sand paper is used to rub them away, then wipe the heating plate clean with soft cloth to ensure full contact between the pot and the heating plate.



**Important Safeguards:**

Use plug to ensure the appliances to be earthed; ensure that the voltage indicated on the appliances corresponds with mains voltage. Ensure the pot base and the surface of the heating plate dry and clean to avoid electronic break down..

Protect the pot against bump may cause the pot to be deformed. Never use the pot on other heat sources. Place the appliances on a stable level surface; never place the pot on something that causes fire easily.

Do not be so near to the appliances' steam nozzle when cooking. Face or hands may be scalded by steam.

Never wash the housing with water or place the housing directly into the water, this will cause power failure.

Use the attach plastic spoon to take food out; such spoons as metal spoons may scratch the pot base and damage the coating.

No not cover the steam nozzle while cooking .this will cause the cooker to the deformed .

Never disassemble the electric cooker on your own, this may influence the cooker's safety features.

Water storing tube is removable .empty and clean it in time after cooking.

The cover handle is only used to open the cover. never use the handle to pick up and move the rice cooker, especially when filled with food, scalding would happen otherwise.

The electric rice cooker has its own linkage and corresponding outlet; Replace the cord with special soft cord once it is damaged.

- Attention proceeding before use**
- 1.the appliance must not be immersed in water.
  - 2.this appliance is not intended for use by persons(including children) with reduced physical, sensory or mental capabilities, or lack of experience and knowledge, unless they have been given supervision or instruction concerning use of the appliance by a person responsible for their safety.
  - 3.children should be supervised to ensure that they do not play with the appliance.
  - 4.if the supply cord is damaged,it must be replaced by a special cord or assembly available from the manufacturer or its service agent.



CG-RC10D5



**USER MANUAL**

A Quality Product  
Of  
CG CHAUDHARY GROUP  
Touching life everyday



**Specification & Model**

MODEL NO.	CAPACITY	POWER	VOLTAGE RATING	FREQUENCY
CGRC10D5	1.0L	400W	220V	50HZ
CGRC15D5	1.5L	500W	220V	50HZ
CGRC18D5	1.8L	700W	220V	50HZ
CGRC22D5	2.2L	900W	220V	50HZ
CGRC28D5	2.8L	1000W	220V	50HZ

**Problems And Causes**

Symptom	Cause	Solutions
1 Power indicator does not illuminate	Heating plate is not hot	Check the switch/plug outlet fuse&cord do work well or not.
	Heating plate is hot	1 The connections inside are loose. Join them together again 2 The indicator are damaged Replace them
2 Power indicator illuminates	Heating plate is not hot	1 Fasten them again 2 Electric heating tube has been burn Replace the heating tube
	Heating plate is hot	1 The pot has been deformed Adjust the pot to ensure a full contact with the heating plate 2 The heating plate has been deformed Use sand paper to polish for slight deform, send away to replace if it seriously deformed. 3 The pot slants ineficiently Rotate the pot lightly to ensure full contact between the pot and the heating plate 4 There are stains on the heating plate Use 320#sand paper to clean 5 Clear burn with button or lever 6 The cooking linkage does not work well pinchers or something 7 Replace aINICO thermal limitation
3 Rice is not ripe or the cooking time is too long.		
4 Rice is scotched		
5 Cannot keep warm automatically		

