

WATER DISPENSER INSTRUCTION MANUAL

Read this manual carefully before operation

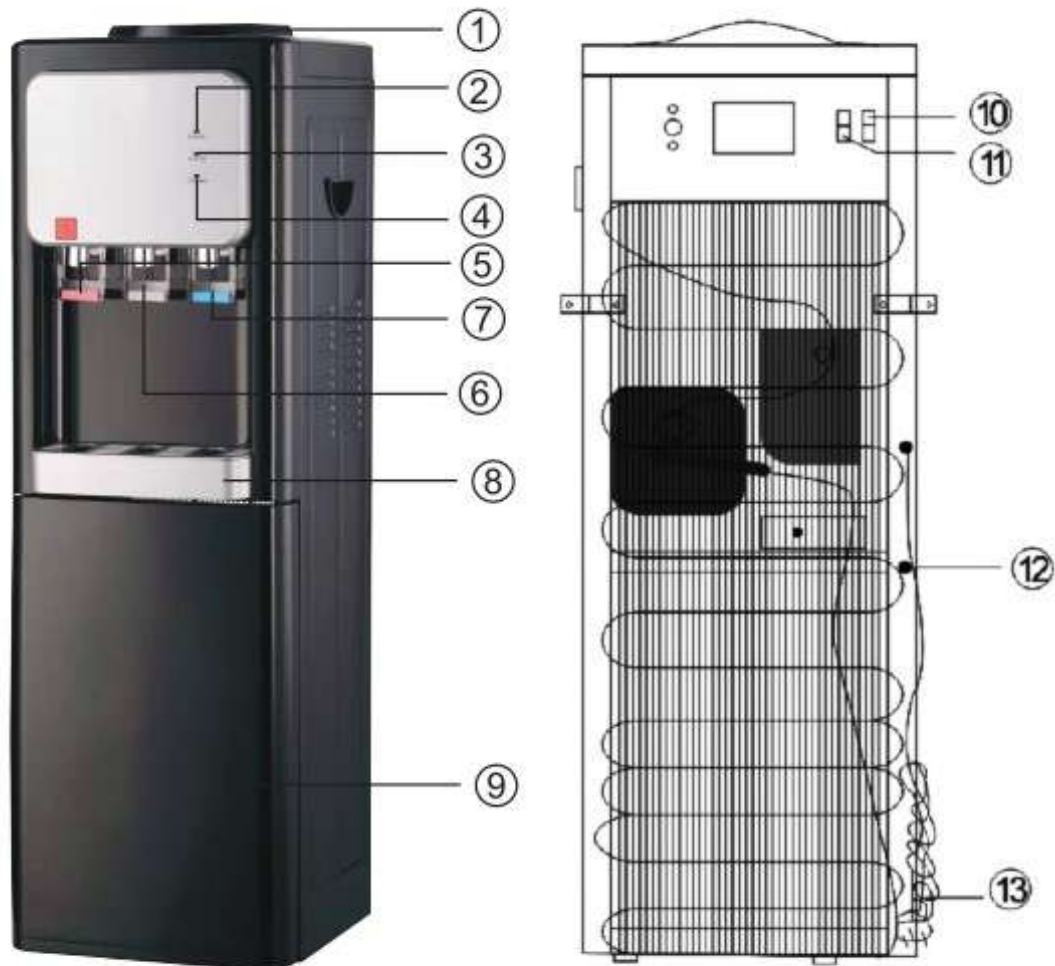
Pictures in this manual are for reference only, the product in kind prevail.



Model: CGWD95LB

This instruction manual contains important information & recommendations that we would ask you to comply with to obtain best results from your products.

PARTS NOTES



The POWER light will be ON/OFF when you plug IN/OUT, The HOT / COLD light will be ON after turn on the heating/cooling switches, the HOT light / COLD light will be OFF after water heating/water cooling has been finished, the HOT light / COLD light will be ON again when water heating/water cooling.

- | | |
|----------------------------|--------------------|
| 1. water guard | 8. Drip box |
| 2. Power indicator light | 9. Fridge cabinet |
| 3. Heating indicator light | 10. Heating switch |
| 4. Cooling indicator light | 11. Cooling switch |
| 5. Hot water tap | 12. Drainage valve |
| 6. Normal water tap | 13. Mains cord |
| 7. Cold water tap | |

CAUTION

Don't damage the refrigeration route

1. Place the water dispenser on level ground, and keep it 15cm away from the wall to let air through. Don't keep combustibles near the water dispenser.
2. If the mains cord is damaged, it must be replaced by the manufacturer, its service agent or similarly qualified persons in order to avoid a hazard.
3. This appliance is not intended for use by persons (including children) with reduced physical, sensory or mental capabilities, or lack of experience and knowledge, unless they have been given supervision or instruction concerning use of the appliance by a person responsible for their safety.
4. Children should be supervised to ensure that they do not play with the appliance

FEATURES

This water dispenser is capable of simultaneously dispensing hot and cold water respectively: Hot water is from 85°C~95°C (inside heating) or 85°C~90°C (outside heating) and cold water is from 8°C~12°C or 6~10°C. Supply water can be either 3 or 5 gallons bottle water or RO-purified water, and dispenser water is suited for a wide variety of needs for drinking water, making tea, coffee or instant food, etc.

The dispenser can be equipped for both household and institutional facilities indoor such as school, hotel and commercial offices.

This water dispenser adopts advanced technology, as well as latest techniques of compressor cooling and electric heating, yielding both highly efficient temperature control and powerful heating and cooling capacities.

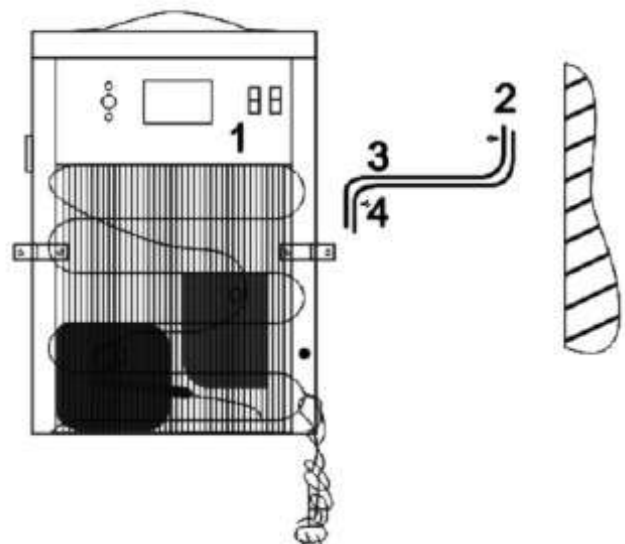
Both the cold and hot tanks are made of high-grade stainless steel, ensuring high durability and satisfactory hygienic level.

INSTRUCTIONS

1. Place the dispenser steadily on solid ground, keeping the back surface at least 15cm away from the wall.
2. Ambient space must be dry, clean and well ventilated with temperature desirable level between 10°C~38°C (or 18~43°C if T climate) .
3. Keep away from precious furniture and other electrical appliance to prevent water splashing onto these items when inserting the water bottle.
4. Must use 3-core socket with proper earthing and leak protector as proper power connection.
5. Set the heating (red) switch to OFF before plugging in the socket.
6. Keep power off if the machine is not to be used for a period time to prevent repeated heating which may cause water leak, During extensive unused period power user must unplug the power socket and open the draining cap to release residual water. Do not forget to close the draining cap again before use.
7. Do not open the refrigerator during in working condition.
8. Water must be observed from the hot tap before turning on the Heating switch (red).
9. WARNING-KEEP ventilation openings, in the appliance enclosure or in the built-in structure, clear of obstruction.
10. WARNING-Do not damages the refrigerant circuit.
11. WARNING-Do not uses flammable appliances inside the food storage compartments of the appliance, unless they are the type recommended by the manufacturer.

Recommended fixing way of water dispenser

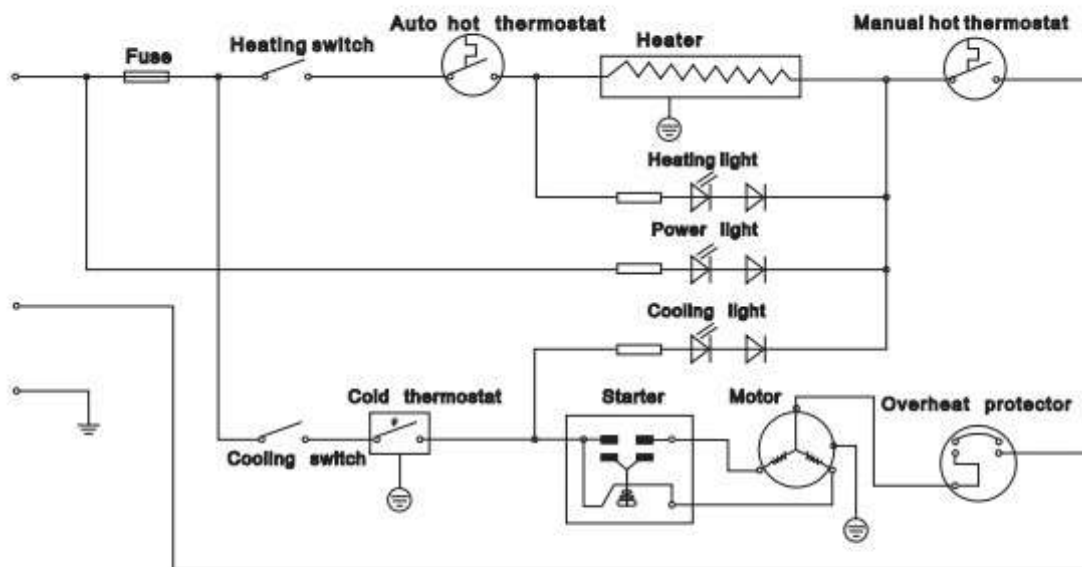
1. Water dispenser
2. Wall fix screw
3. S type fix bracket
4. Water dispenser fix screw
5. The size of S bracket is 40*50*10, the dia. of screw is 4mm, and the screw is at centre of this bracket.



CORRECT USE OF REFRIGERATING CABINET

1. Wipe and clean the inner walls and bottom tray ensure the inside is completely dry, and then shut the refrigerator door tight.
2. The refrigerating system in a water dispenser with bottom refrigerating cabinet works to control both water-cooling and cabinet refrigerating and can not be used alone for the refrigerator.
3. Before using the refrigerator, must keep the cabinet running empty for two hours before storing food .Must leave sufficient space between food storage to allow sufficient air circulation.
4. Remove residual water accumulated on the bottom tray frequently to prevent cold-water leakage.

CIRCUIT DIAGRAM



PRECAUTIONS

1. Danger: Do not force in/out the power cable to avoid damage to the cable and consequential danger to yourself.
2. Do not wipe the product with water or oil to avoid damage on the product service! Wipe the surface with soft and dry cloth to keep clean.
3. Danger: Do not alter power socket or overextend power cable on prevent possible fire hazard.

4. Danger: Do not power on/off the unit by directly plugging in/out the socket!
5. Keep away from heater, and out of room exposed to direct sunlight, rain or steam keep away from explosive materials.
6. Do not tilt the product over 45° during moving to avoid damage to the compressor.
7. Placing bottled water on the dispenser would cause the center of gravity shift upward must stabilize the dispenser firmly before use.
8. The product is for household use only.

CLEANING PROCEDURES

All tanks and pipes had received in factory sterilizing treatment, but users are advised to clean them on a regular basis.

1. Regular cleaning :keep the product heating for 30 minutes, then lift up water bottle ,switch off power source , open draining cap and 2 taps to release residual water (Caution: avoid direct contact with hot water because scale may occur)

2. If you use mineral water , it is necessary to clean the heating coil and tank with 2% cooling citric acid and clean water once a month to assure good performance and good water quality. The clean method is same to the above mentioned in clause 1.

MALFUNCTION HANDLING

MALFUNCTION HANDLING	Possible causes	Solutions
No power	Power connection failure	(1) Test electricity in the socket (2) Make sure socket is plugged (3) Make sure to turn on power switch
Shock when touching the product	Improper earthing	Must use 3-core socket and leak protector
Abnormal noise	Improper positioning of the product	(1) Ensure the product is properly and firmly positioned (2) Keep the back of the unit out of touch with any object
Water leakage	Bottle damage	Change water bottle

CAUTION: In order to avoid a hazard due to inadvertent resetting of the thermal cutout , this appliance must not be supplied through an external switching device, such as a timer, or connected to a circuit that is regularly switched on and off by the utility.

CORRECT DISPOSAL OF THIS PRODUCT



This marking indicates that this product should not be disposed with other household wastes throughout the EU. To prevent possible harm to the environment or human health from uncontrolled waste disposal, recycle it responsibly to promote the sustainable reuse of material resources. To return retailer where the product was purchased . They can take this product for environmental safe recycling.

**A Quality Product
Of**

**CG CHAUDHARY[®]
GROUP**
Touching life everyday



**IMPORTANT INFORMATION FOR CORRECT DISPOSAL OF THE PRODUCT
IN ACCORDANCE WITH EC DIRECTIVE 2002/96/EC.**

At the end of its working life, the product must not be disposed of as urban waste. It must be taken to a special local authority differentiated waste collection centre or to a dealer providing this service.

Disposing of a household appliance separately avoids possible negative consequences for the environment and health deriving from inappropriate disposal and enables the constituent materials to be recovered to obtain significant savings in energy and resources. As a reminder of the need to dispose of household appliances separately, the product is marked with a crossed-out wheeled dustbin.