



AIR COOLER INSTRUCTION MANUAL

Read this manual carefully before operation

Pictures in this manual are for reference only, the product in kind prevail.



MODEL : CGAR90S01
CGAR55S01
CGAR55S01R

This instruction manual contains important information
& recommendations that we would ask you to comply
with to obtain best results form your products.

CG CHAUDHARY®
GROUP
Touching life everyday

USER GUIDE BOOK
AIR COOLER
MODEL : SNOWCOOL SERIES (CG BRAND) EXPORT
PART CODE :
PRINTING IN C.M.Y.K COLOUR 
PAPER SIZE : A5 SIZE (148 mm X 210 mm)
PAPER SPECS- 80 GSM

GRAPHIC BY : A. PATOLE
CHKD. BY : A. WADJE
DATE : 11/02/2022
REVISION : R1

CONTENTS

	PAGE NO.
1) TECHNICAL SPECIFICATIONS	2
2) APPLICATIONS	2
3) ADVANTAGES OF AIR COOLER	3
4) KNOW YOUR AIR COOLER	4
5) GETTING STARTED	5-7
6) OPERATIONAL CARE AND REGULAR MAINTENANCE	8
7) TROUBLE SHOOTING	8
8) SAFETY PRECAUTIONS	9
9) WIRING DIAGRAM	10

TECHNICAL SPECIFICATIONS

DESCRIPTION	TYPE / MODEL NO.		
	CGAR55S01	CGAR55S01R	CGAR90S01
SUPPLY VOLATAGE	220-240 V	220-240 V	220-240 V
FREQUENCY	50 Hz	50 Hz	50 Hz
POWER	Watt (Max) 200 watt	200 watt	200 watt
CONSUMPTION	Current (Max) 1.6 A	1.6 A	1.6 A
FAN SPEED	Three	Three	Three
AIR DEFLECTION	Four Way	Four Way	Four Way
NOMINAL CAPACITY	Wood Wool 3800 m ³ / Hr	3800 m ³ / Hr	3800 m ³ / Hr
	Honeycomb 4300 m ³ / Hr	4300 m ³ / Hr	4300 m ³ / Hr
RESERVOIR CAPACITY (Max)	55 Ltrs.	55 Ltrs.	90 Ltrs.
TYPE OF COOLING MEDIA	Wood Wool	Wood Wool	Wood Wool
	Honeycomb	Honeycomb	Honeycomb
WEIGHT	15.5 kg	15.5 kg	16.8 kg
DIMENSION (L x W x H) in cm	63.5 x 44.5 x 108.8	63.5 x 44.5 x 108.8	63.5 x 44.5 x 124.3
COOLING EFFICIENCY	> 65% at 45°C & < 25% RH	> 65% at 45°C & < 25% RH	> 65% at 45°C & < 25% RH
STANDARD ACCESSORIES / PORTABILITY	Castors Provided	Castors Provided	Castors Provided
TIMER		1 to 7 hours	

SAFETY : Earthing is provided. (In select models only)

NOTE : * Design & Specifications are subject to change without prior notice due to continuous Research & Development .

APPLICATIONS

The air cooler has been designed to wheel easily from room to room so that you can enjoy the comfort, it provides where you need it most.

Some of the applications to which AIR COOLER can be adapted are.

- Living Room
- Dining Room
- Offices
- Restaurants
- Bed Room
- Kitchen Room
- Clinics
- Shops
- Study Room
- Balcony
- Hotel Rooms

In fact the applications of your AIR COOLER are limitless.

ADVANTAGES OF AIR COOLER

- **STURDY DESIGN**

All Air coolers are designed to have excellent aesthetics & are made of sturdy thermoplastic material having excellent finish & corrosion free life.

- **FOURWAY AIR DEFLECTION SYSTEM**

This unique feature consists of specially designed horizontal louvers & motorised vertical louvers to ensure uniform distribution of air throughout the room, thus maintaining even cool air flow in the room.

- **SPECIAL WOOD WOOL PADS (In select models only)**

Himalayan pine wood wool provided for odorless & fresh cool air. The unique construction of these pads gives maximum contact surface with air & water. This ensures efficient evaporation of water & giving very effective cooling.

- **SPECIAL HONEYCOMB PAD (In select models only)**

These are specially designed for Air cooler, made up of Antifungus environmental friendly cellulose based paper. The construction of the same is such that, it gives maximum contact surface with air & water. Which ensures efficient evaporation of water & gives better cooling effect.

Minimum two-three drain cycles to be carried out on purchase of the air cooler to eliminate smell of Honeycomb pads.

- **UNIFORM WATER SPRAYING ON PAD**

Water is distributed with uniform pressure through shower assembly & distribution tray.

- **CONTROL KNOBS**

Independent controls for Speed Selection, Power ON/OFF & Functions.

- **WATER LEVEL INDICATOR**

An easy to view water level transparent lens provided on the tank at front face, lets you keep a check on the water level in the tank.

- **TOUGH & ELEGANT FAN**

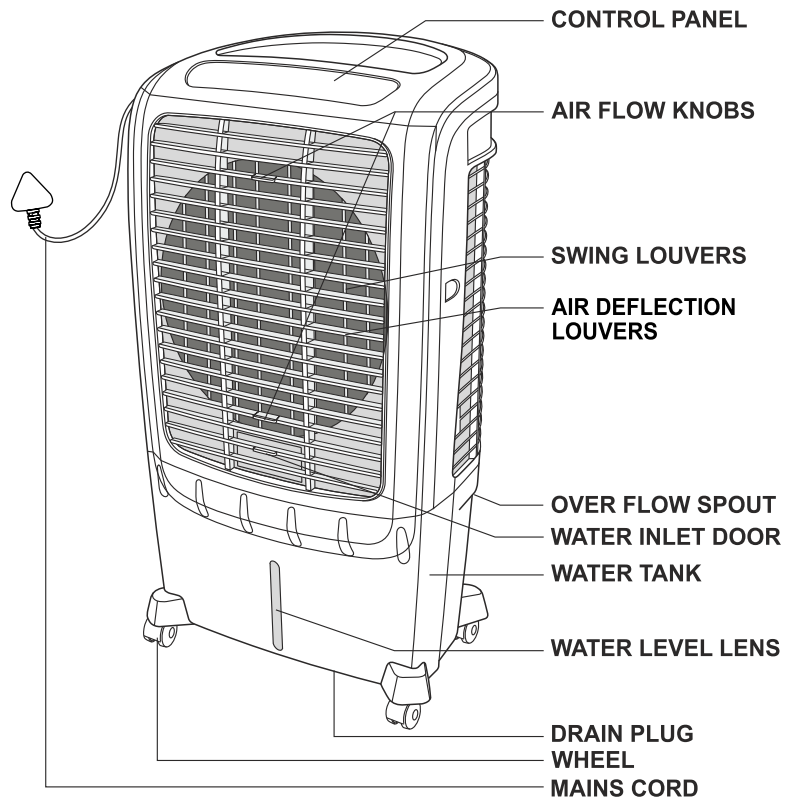
Specially designed for optimum efficiency having blades of non-corrosive material with three speed option.

- **FREE WHEELING CASTORS**

The cooler is mounted on castors which makes it convenient to wheel around from one place to another, even a child can move it around.

KNOW YOUR AIR COOLER

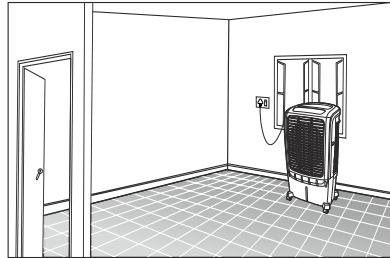
CGAR55S01 / CGAR55S01R / CGAR90S01



GETTING STARTED

INSTALLATION

- 1) Place your Air Cooler at least 10 cm away from wall or any other obstruction. The Cooler should be placed near a window / door to allow in fresh air. The Cooler has been provided with inbuilt wheels for easy maneuverability.
- 2) Always ensure that there is another open window / door through which warm air can exhaust from the room. Constant air change is very essential for fresh air cooling by your Cooler.
- 3) Plug in the mains cord of your Cooler to a wall socket. Ensure the plug is properly earthed & is in OFF Position while plugging.
- 4) While plug in the mains cord please ensure that phase (L) & neutral (N) of the mains cord should match with the phase and neutral of the socket as per standard.



OPERATIONS

- 1) Install the Cooler as per Installation procedure.

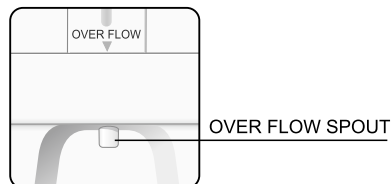
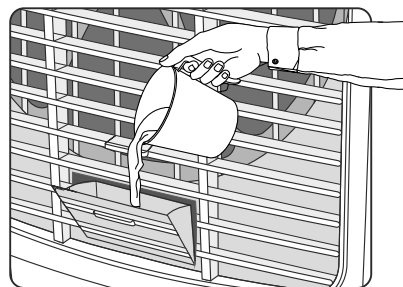
- 2) **FILLING OF WATER :**

Just fill water tank (as per tank capacity) of your air cooler through the water inlet port. The water level will be viewed through lens.

It is advisable to use tumbler to fill the water to ensure no spillage.

(Ensure the power point is OFF while filling water).

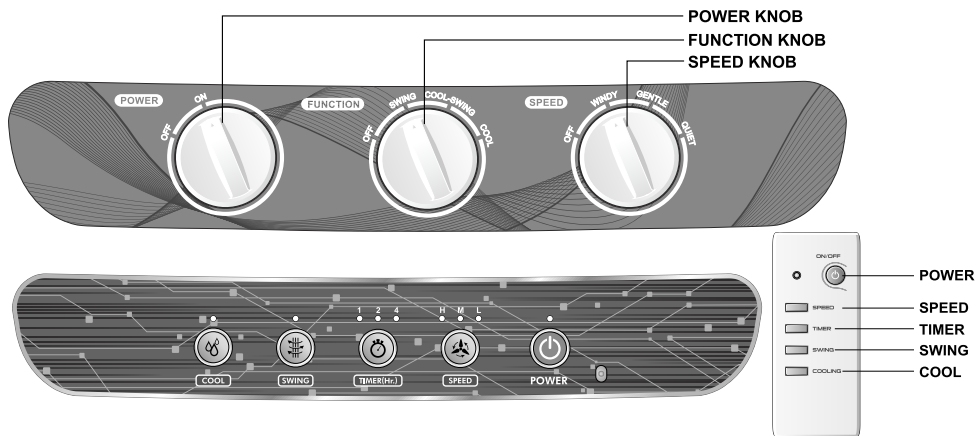
If filled water exceeds the tank capacity water will spill out from over flow spout.








GETTING STARTED

- 3) **POWER SUPPLY** : Ensure that your Cooler is plugged into specified Voltage & Frequency outlet only. Also ensure proper earthing of power point. Switch 'ON' the power supply
- 4) **PRE SOAKING:** Before putting on the Cooler fan, it is advisable to run pump for few minutes by rotating FUNCTION knob "COOL" mode, This will ensure uniform soaking of cooling media & avoid sprinkling of water if any.
- 5) **BETTER PERFORMANCE** : **For better air blast run the cooler on high speed. Run the cooler on low speed to get better cooling & low noise level.**
- 6) **CONTROLS: (CGAR55S01 & CGAR90S01)**
 - A) Set the POWER Knob to ON position. Set the SPEED Knob to desired level viz. WINDY, GENTLE, QUIET (i.e. high, med, low,) of air delivery. If you want to use the cooler in COOL mode; Set the FUNCTION Knob to COOL/SWING position to obtain continuous horizontal oscillation of air.
 - B) If you need a focused blast of cool air, wait for the blast to focus in the direction you desire and then turn the FUNCTION Knob to COOL Position.
 - C) When you want to use the cooler in FAN mode; set the FUNCTION Knob to SWING position to obtain continuous horizontal oscillation of air. If you need to focused blast of fresh air, wait for the blast to focus in the direction you desire and then turn the FUNCTION Knob to OFF Position.

CONTROLS



-  **1) POWER**
Press power button to turn off the unit. Only power LED will glow remaining will be kept in off condition.
-  **2) SPEED**
After plugging the cooler into the specified voltage press the speed button to start the Fan & Select the fan speed level in the following sequence High-Medium-Low. Specified LED will glow according to your selection.
-  **3) COOL**
In order to increase the cooling level of blowing air press cool button. Ensure that the tank of the cooler is filled with water at required level before pressing the cool button. Press again cool button to off the cool function.
-  **4) SWING**
In order to spread the air around the room press swing button. LED will glow when you press the swing button.
-  **5) TIMER**
Press the timer button to set the desired timing level, the range of the timer is 1-7 hours. Specified LED will glow according to your timing level. No LED glows mean its continuous mode.

NOTICE :

- To operate, the distance should be within 5 meters & at an angle of $\pm 30^\circ$ from the unit with a clear line of sight.
- Remove the batteries if the remote controller is not to be used for long period of time.
- Don't tear the batteries apart or throw them into the fire, which will lead to irreparable damage.

OPERATIONAL CARE AND REGULAR MAINTENANCE

OPERATIONAL CARE

- 1) When your Air Cooler is not in operation, make sure to switch all the switches to OFF Position.
- 2) Operate the buttons gently.
- 3) Do not wipe the cooler with harsh chemicals, scrubbing powder or thinner as they will damage the body.
- 4) Do not keep heavy load on the top of your Air Cooler.
- 5) Do not add any bleaching agents into the water in the tank.
- 6) Before moving or relocating the cooler ensure that the mains cord is unplugged and that the water tank is empty.
- 7) Do not immerse the unit in water.
- 8) Do not use any cleaning chemicals such as detergents and abrasives.
- 9) Do not allow the interior (special for the PCB) to get wet as this could create a hazard.

REGULAR MAINTENANCE

Periodic maintenance helps to keep your Air Cooler in good condition.

- 1) It is recommended to drain the Cooler and clean the cooling pads every month.
- 2) Replace the HONEYCOMB PAD once in two / three years & replace the cooler pad once a year in case of WOOD WOOL.
- 3) After the summer season ensure that the water is drained off completely & pads are dried before storage.

TROUBLE SHOOTING

If Air cooler fails to operate, please check the following before calling for service.

- Please check that there is electric supply at the power point.
- Please check that the power point is switched 'ON' and that the plug is in its place correctly.
- Please check that the controls are set properly.

The remote control is not working properly :

- Check that the remote control batteries are correctly inserted according to the +/- orientation.
- Replace the remote control batteries if they are flat or weak.

SAFETY PRECAUTIONS

- Always disconnect mains supply before filling water.
- Do not fill the water beyond the full mark on the water level indicator.
- Do not try to fill the water into the cooler when in operation.
- Do not move the cooler rapidly when there is water in the tank.
- Always disconnect mains before opening filter net or panels.
- Be particular & careful when using the cooler near curtains. Keep safe distance from the curtains.
- Children must not be allowed to operate / play with cooler.



This appliances is not intended for use by persons (including children) with reduced physical, sensory or mental capabilities or lack of experience and knowledge, unless they have been given supervision or instruction concerning use of the appliance by a person responsible for their safety.

Children should be supervised to ensure that they do not play with the appliance.

- unplug the appliance during filling and cleaning.



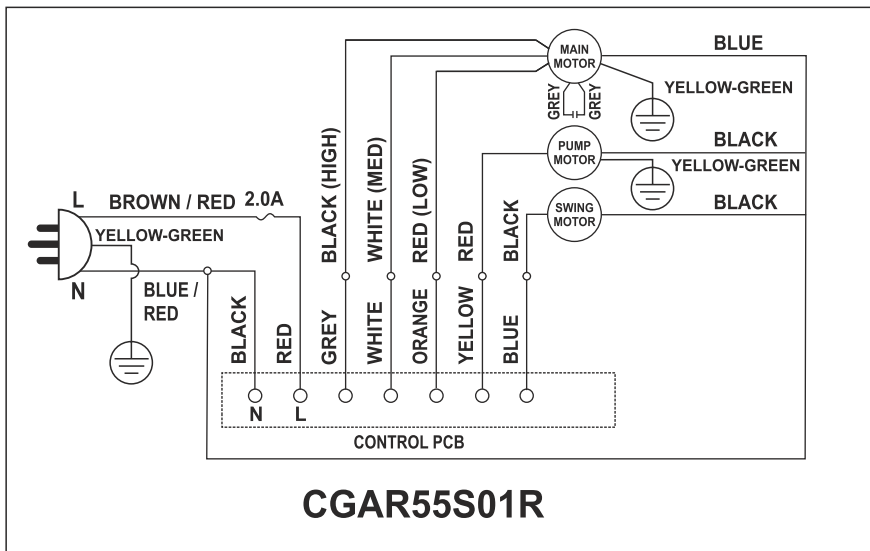
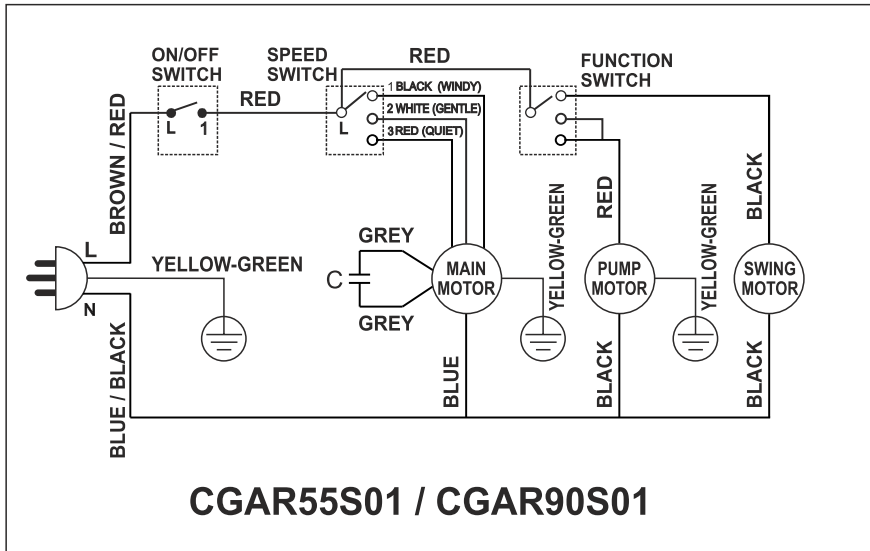
Do not modify or extend the Power Cord length.

- **It will cause electric shock or fire.**

Power Cord Replacement

If the supply cord is damaged, it must be replaced by a special cord or assembly from the manufacturer or its authorised service agent.

WIRING DIAGRAM



**A Quality Product
Of**



**IMPORTANT INFORMATION FOR CORRECT DISPOSAL OF THE PRODUCT
IN ACCORDANCE WITH EC DIRECTIVE 2002/96/EC.**

At the end of its working life, the product must not be disposed of as urban waste. It must be taken to a special local authority differentiated waste collection centre or to a dealer providing this service.

Disposing of a household appliance separately avoids possible negative consequences for the environment and health deriving from inappropriate disposal and enables the constituent materials to be recovered to obtain significant savings in energy and resources. As a reminder of the need to dispose of household appliances separately, the product is marked with a crossed-out wheeled dustbin.

Visit us at: www.cginspiringlife.com